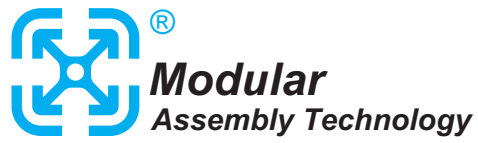


Stair and Platform System



Product Catalogue
产品目录



Stair and Platform System
工业踏步及走台系统

Version 4.2



专业 专注 精益求精

Profession Devotion Keep Improving

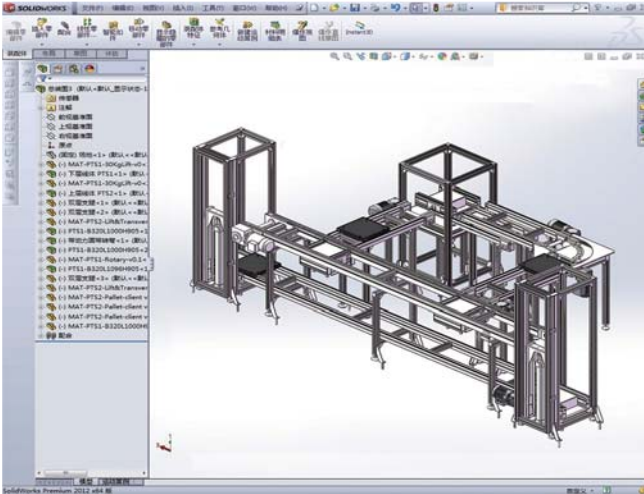
经验丰富的工程师队伍；
专业的设备和多年的实践；
标准化的操作流程；
高素质的销售团队和以顾客为导向的服务宗旨；
美德乐为您提供的不仅仅是产品，更是工业领域的最前沿理念；
我们要您了解的不只是产品质量，更是一种服务态度。

Made in China;
Higher quality at unbeatable price;
Shipped directly pre-assembled to customers;
Converting any original design to MAT design, free of charge.

Try once, and you will never change!!!

What's inside...

Assembly Technology



Planning Software 技术支持

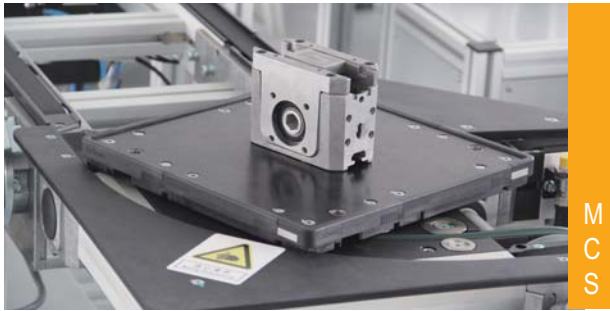
- Complete product info
- CAD library
- Quick & Easy configurator
- Calculation of profile deflection
- Drawing conversion for profiles
- Layout Designer for fast, easy planning
- 完整的产品信息
- CAD图库
- 装配简单便捷
- 型材变形量的计算
- 图纸的转换
- 规划简单快速



On-time, rapid delivery 准时，快速交货

- Availability of all components
- Pre-assembled modules, complete frames
- Prompt shipping and exemplary delivery reliability
- 配件充足
- 模块化组装
- 及时交付产品





The Modular Conveyor System (MCS) includes belt conveyor, roller conveyor, chain belt conveyor, chain conveyor, pallet conveyor, rotate unit, lift unit etc. They are widely used in car component production, pharmaceutical, electronics, tobacco, packing and other industries. 模块化输送系统主要包括皮带式输送机, 辊筒式输送机, 网带输送机, 链板和柔性链式输送机, 托盘输送线, 转台、提升机等。产品广泛地用于汽车零部件制造、医药、电子、烟草、包装等行业。



Modular Assembly System (MAS) is composed of industrial aluminum profiles and accessories. You can quickly find a solution for all tasks with the complete specification and variety of accessories from MAT. 模块化工业组装系统由工业铝型材及其配件组成, 型材规格齐全, 附件多样化, 可以快速组装成任意的结构形式。



Machine Guard System (MGS) is designed for customers with advanced guarding need. The special design of guarding profiles offers better appearance and unique fastening elements brings faster and safer connections. 机械防护系统是为了满足客户对防护的高级需求而独立设计的。防护型材的特殊设计令整体防护系统更加简洁美观, 专用的紧固组件可实现快速和可靠的连接。



Stair and Platform System (SPS) is commonly used for overpass bridges over machinery and equipment. The assembly can be realized easily by simply fastening screws without any machine work. The system is very easy and convenient to use. 工业踏步及走台系统常用于机械上下扶梯及设备的跨线桥, 无需特殊加工即可实现组装, 方便快捷, 内藏式锁紧结构, 美观整洁。



Tubular Framing System (TFS) is a flexible modular system composed of special profile tubes and accessories to build a diverse range of flow racks and material shuttles. TFS is simple and quick to use, also low cost. 线棒柔性系统是由导管型材和其它附件组成的一种模块化柔性系统, 可以组合成各种类型、规格、尺寸的工作器具和料架, 制造简单迅速、低成本。





Modular Conveyor System
模块化输送系统



Modular Assembly System
模块化工业组装系统



Machine Guard System
机械防护系统



Stair and Platform System
工业踏步及走台系统



Tubular Framing System
线棒柔性系统



Modular Assembly System---
safe, quick, reliable

Use our comprehensive range
to effectively cut working hours and costs.

- Short planning times
- Faster construction
- Highly flexible conversion and extension options
- Reusable components
- Available worldwide

模块化组装系统特性-
安全、快捷、可靠。

全方位有效地节省工时和成本。

- 加工时间短
- 组装速度快
- 高度灵活性
- 可重复使用
- 全球销售



Bridge for Sorting Machine 分拣设备过线梯



Bridge for Sorting Machine 分拣设备过线梯



Platform for Aerospace Equipment 航天设备载体



Bridge for Sorting Machine 分拣设备过线梯



Bridge for Sorting Machine 分拣设备过线梯



Maintenance Platform 设备维修梯



Bridge for Sorting Machine 分拣设备过线梯



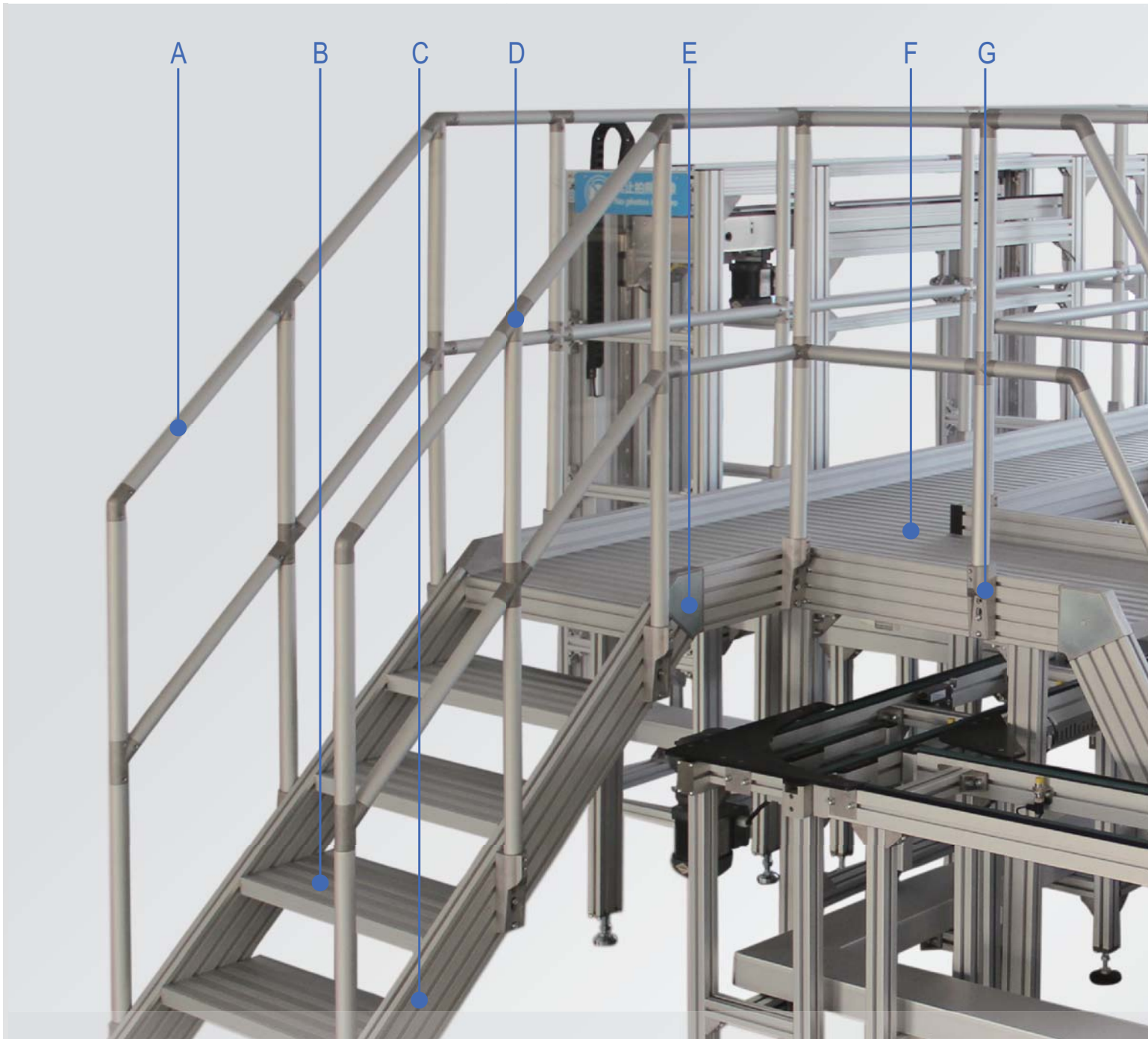
Maintenance Platform 设备维修梯



Bridge for Sorting Machine 分拣设备过线梯



Arched Stairs for Aerospace Equipment 航天设备拱形梯



A Aluminum Tube 铝管

Aluminum tube $\Phi 40\text{mm}$ for column of handrail and guardrail.
铝管直径40mm, 用于扶手及护栏的支柱。

Page-10



C Strut profile 框架型材

For frame and support of step and platform.
用于踏步梯级与平台的框架及支撑。

Page 12



B Step Profile 踏步型材

For step Ladder or to build the platform with profile put in parallel.
用于搭建踏步梯级, 也可以多个踏步型材平行安装构建任意尺寸的平台。

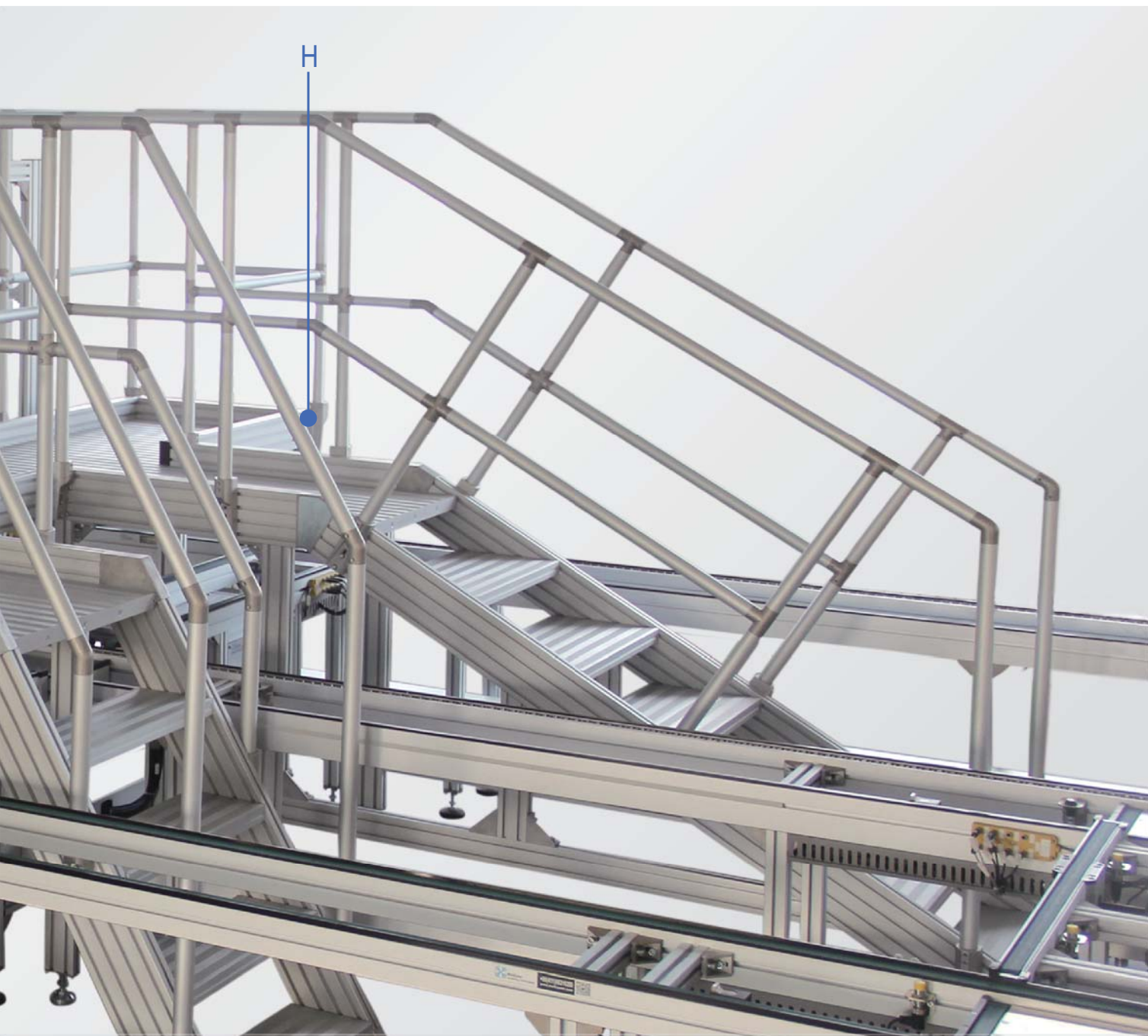
Page-11



D Tube Connector 管连接件

To build the handrail and guardrail. Various connection for different demands.
管连接件用于扶手及护栏的搭建, 多种结构形式以满足客户的不同需求。

Page 13-21



E Stair Joint 踏步角连接件

For connection between step unit and platform unit.
用于踏步单元与平台单元的连接。

Page 22



G Side Base 侧边支座

For fixation of handrail and guardrail.
用于扶手及护栏的固定。

Page 27



F Clamp 夹块

For connection between step profiles and connection between step profile and frame profile.
用于踏步型材之间及踏步型材与框架型材之间的连接。

Page 24



H Angle Plate 角转接板

For the connection between side base and frame profile at the 90° corner of the platform.
用于平台90°转角时侧边支座与框架型材的转换连接。

Page 25



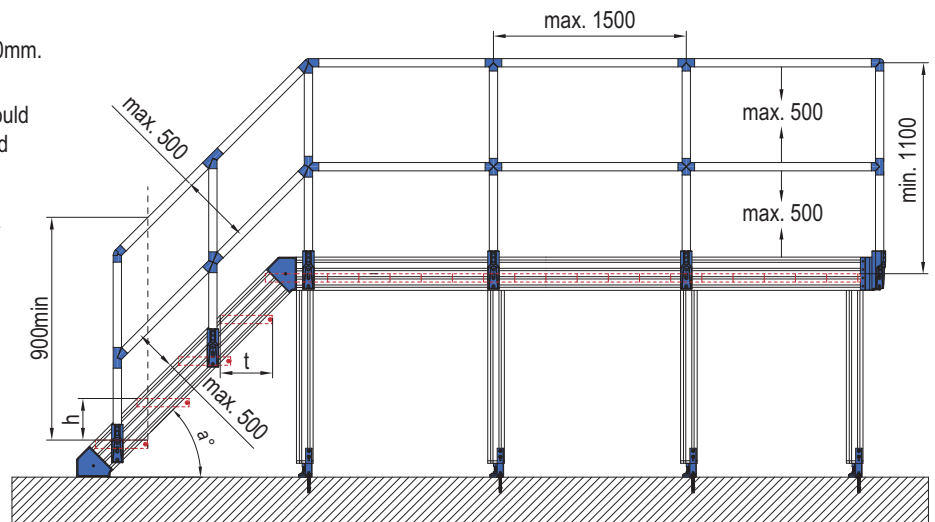
Stair and Platform System (SPS) 工业踏步及走台系统

The SPS is suitable for many indoor and outdoor applications from the simplest railings to complicated stairs and working platforms without any extra machining. Connection is realized effortlessly by simply tightening clamping screw.

工业踏步及走台系统用于组装机器设备的操作、维修、参观等平台。系统主要由铝型材框架、作业台、踏步、扶手围栏等组成，该系统组装方便快捷，结实耐用，美观整洁。

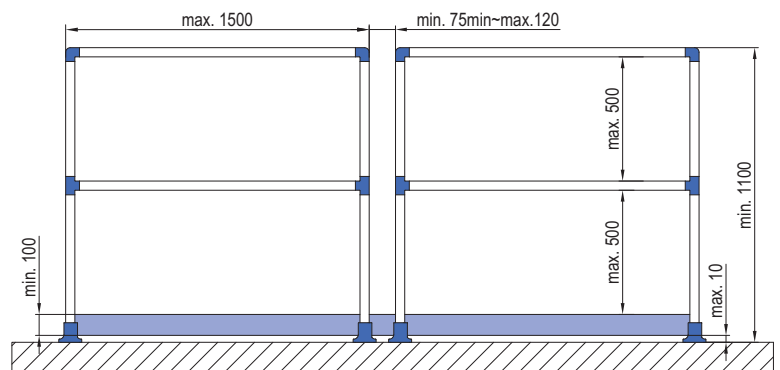
Safety Requirement of Stair and Platform 踏步平台安全要求

- Depth of step t not less than 80mm.
踏步深度 t 应不小于80mm。
- Vertical distance between steps h not more than 250mm.
踏步高度 h 应不大于250mm。
- The distance between steps in the same section should be the same. The distance between the first step and the ground level can be max. 15% less than the distance between other steps.
在同一梯段上，踏板间距应保持一致，如起始平面和第一级踏板之间不能维持这一高度的情况下，最多可以减少15%。
- The net width of the step should be not less than 600mm. The standard width is 800mm. The width should be increased to 1000mm where people come across on the step.
楼梯净宽最小不低于600mm，标准宽度为800mm，当楼梯多人同时交叉通过时，宽度可增加到1000mm。
- The increasing height of each stair section should be not more than 3000mm.
每一梯段的上升高度不可超过3000mm。
- a is for the angle of the stair. The standard angle is as 30° , 45° and 60° .
 a 为梯级角度，标准角度分别为 30° ， 45° ， 60° 。



Safety Requirement of Guardrail 护栏的安全要求

- The guardrail is required where the platform height is more than 500mm or the platform passes the dangerous area.
当平台高度超过500mm或要通过危险区域时，需安装护栏。
- The guardrail is required on at least one side of the step.
踏步至少一侧需要布置护栏。
- The distance between two posts can't be more than 1500mm.
护栏两个立柱之间最大间距不可超过1500mm。
- The vertical distance of two guardrail can't be more than 500mm and the total height of the guardrail can't be less than 1100mm.
每层护栏之间最大间距不可超过500mm，护栏总高度不得低于1100mm。
- The guardrail interruption, if any, is better to be 75~120mm.
在有护栏中断的情况下，护栏中断的间距最好保持在75mm至120mm之间。
- The kick plate is optional to be installed at both sides of platform to avoid the falling of goods.
为避免物体从平台面滑落，可在平台两侧安装踢脚板。



Products Index
产品索引

Technical Data
技术信息 Page 01-08

Aluminum Profile
铝型材 Page 09-12

Tube Connector
管连接件 Page 13-21

Accessories
附件 Page 22-33

<p>Aluminum Tube Φ40x3 铝管 Φ40x3</p>  <p>Page 10</p>	<p>Stair Protection Profile 梯级挡板型材</p>  <p>Page 10</p>	<p>Footrail Profile 40x120 踏步踢脚板型材 40x120</p>  <p>Page 10</p>	<p>Step Profile 40x100 踏步型材 40x100</p>  <p>Page 11</p>	<p>Step Profile 40x150 踏步型材 40x150</p>  <p>Page 11</p>
<p>Step Profile 40x250 踏步型材 40x250</p>  <p>Page 11</p>	<p>Strut Profile PG40 40x120 8 slots 基础框架型材 40系列 40x120 8槽</p>  <p>Page 12</p>	<p>Strut profile PG40 40x160 10 slots 基础框架型材 40系列 40x160 10槽</p>  <p>Page 12</p>	<p>V Connector V 形接头</p>  <p>Page 14</p>	<p>L Connector L 形接头</p>  <p>Page 14</p>
<p>Angle Connector 角度接头</p>  <p>Page 15</p>	<p>T Connector T 形接头</p>  <p>Page 15</p>	<p>45°L Connector (Left) 45°L 形接头 (左)</p>  <p>Page 16</p>	<p>45°L Connector (Right) 45°L 形接头 (右)</p>  <p>Page 16</p>	<p>45°Y Connector (Left) 45°Y 形接头 (左)</p>  <p>Page 17</p>
<p>45°Y Connector (Right) 45°Y 形接头 (右)</p>  <p>Page 17</p>	<p>90°L Connector 90°L 形接头</p>  <p>Page 18</p>	<p>135°L Connector 135°L 形接头</p>  <p>Page 18</p>	<p>45°T Connector (Left) 45°T 形接头 (左)</p>  <p>Page 19</p>	<p>45°T Connector (Right) 45°T 形接头 (右)</p>  <p>Page 19</p>
<p>X Connector X 形接头</p>  <p>Page 20</p>	<p>90°T Connector 90°T 形接头</p>  <p>Page 20</p>	<p>Cross Connector 十字形接头</p>  <p>Page 21</p>	<p>Stair Joint 踏步角连接件</p>  <p>Page 22</p>	<p>Tread 踏步梯级</p>  <p>Page 23</p>
<p>Clamp 夹块</p>  <p>Page 24</p>	<p>Angle Plate-40x120 角转接板-40x120</p>  <p>Page 25</p>	<p>Angle Plate-40x160 角转接板-40x160</p>  <p>Page 25</p>	<p>Round Base 圆形支座</p>  <p>Page 26</p>	<p>T Base T 形支座</p>  <p>Page 26</p>
<p>Side Base 侧边支座</p>  <p>Page 27</p>	<p>Guardrail Hinge 护栏合页</p>  <p>Page 28</p>	<p>Lock Adapter 门锁转接块</p>  <p>Page 28</p>	<p>Panel Block 夹板块</p>  <p>Page 29</p>	<p>Base Plate 隔断支脚</p>  <p>Page 30</p>
<p>Pivot Foot 金属微调支脚</p>  <p>Page 31</p>	<p>Base Angle 板支脚</p>  <p>Page 32</p>	<p>Castor-Heavy Duty 重载脚轮</p>  <p>Page 33</p>	<p>Hand Drive Support 手摇支架</p>  <p>Page 33</p>	



Step Unit 踏步单元

Composition of Step Unit

Side frame: PG40 40x120mm and 40x160mm strut profile with standard slots. It matches with all MAS accessories to realize the industrial requirement of max. modulization and flexible assembly
Step tread: Step profile with anti-skid lines, which avoid the potential skid due to the step. The step protection profile will be added at the inner front side of the step according to different safety requirements, which improves the safety level of the step and platform.

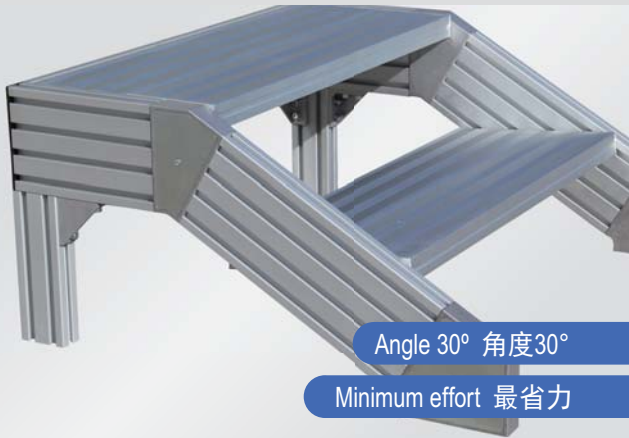
The stair angles are divided into 30°, 45° and 60° according to spacing and ease or difficulty of climbing requirement. The width of step and the max. height of each section of stair differ as well. See Page 23 for detail.

踏步单元的组成

侧边框架：采用带标准槽口的40系列40x120mm和40x160mm铝型材，可兼容MAS系统所有配件，以实现最大模块化与灵活组装的工业要求；
踏步梯级：采用带有防滑纹设计的专业踏步型材组成，表面防滑纹设计有效降低操作人员滑倒的风险。踏步梯级前方，可根据安全需求增加标准可靠的梯级挡板型材，进一步提高踏步单元的安全性。

根据空间要求及攀爬难易程度，踏步单元可分为30°，45°，和60°三种角度。不同角度所对应的梯级宽度和每段平台所达到的最大高度各不相同。详见Page 23。

Product introduction 产品介绍



Angle 30° 角度30°

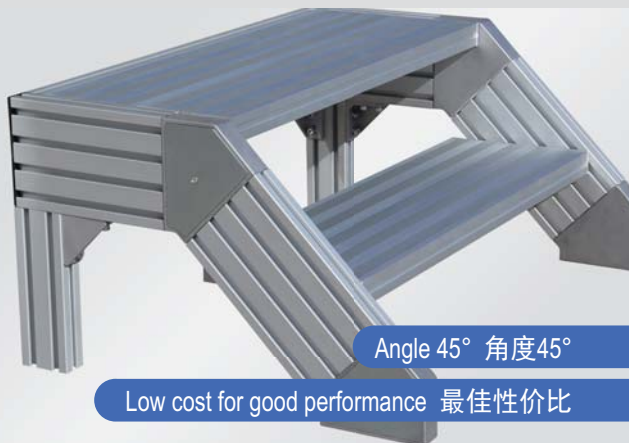
Minimum effort required for 30° stair. The stair allows the user to climb the stair without too much force, which is suitable for the area where people transfer the material or use the stair frequently.

Advantage: Minimum effort

Disadvantage: High cost, low space use rate, enough space is required for installation. 踏步30°是最省力的角度, 用户不必抬高腿就可以轻松攀爬楼梯, 适用于运输材料或频繁使用楼梯的场所。

优点: 攀登省力。

缺点: 成本高、空间利用率低, 需要有足够的空间才能满足它的安装条件。



Angle 45° 角度45°

The 45° stair requires low cost but with good performance and high space use rate. The equal angle makes beautiful industrial facility. The quantity of the step is suggested to be max. 18pcs to realize the best height.

Advantage: Beautiful, high performance, suitable for most of area

Disadvantage: Not the most economic, climb with difficulty

踏步45°是最佳性价比的角度, 成本较低、利用空间率较高。完美的对角使工业设施看上去非常美观, 建议踏步数最多为18个, 可以达到最佳高度。

优点: 美观, 综合性能高, 适合大多数场合。

缺点: 不是非常经济、攀爬较费力。



Angle 60° 角度60°

The 60° stair realizes the optimum space use rate. It is a good solution when the installation space is limited or the stair isn't used frequently.

Advantage: Low cost, high space use rate, suitable to be maintenance stair

Disadvantage: Climb with difficulty

踏步60°是最佳空间利用率的角度, 当可用空间非常小或者不经常使用的情况下, 踏步60°的梯子是一个非常理想的解决方案。

优点: 成本低, 空间利用率高, 适合做维修梯等。

缺点: 攀登费力。



Platform Unit 平台单元

Composition of Platform Unit

Side frame: Same as step unit, PG40 40x120mm and 40x160mm strut profile with standard slots. It matches with all MAS accessories to build the platform in any dimensions.

Platform plane: 100mm and 150mm standard width step profiles. The profiles can be fixed with the clamp to form the platform at any length and width. The anti-skid lines on the surface avoid the potential skid due to the step. The kick plate avoids the danger of object dropping and reduces the gap between the platform and handrail/guardrail, which increases the safety protection level for the people work on the platform.

平台单元的组成

侧边框架：与踏步单元相同，采用带标准槽口的40系列40x120mm和40x160mm铝型材，与MAS系统所有配件相兼容，从而轻松构建任意尺寸的平台。

平台平面：由100mm和150mm两种标准宽度的踏步型材构成。踏步型材之间使用夹块固定，可以构建成任意尺寸的平面。踏步型材表面的防滑纹有效避免人员滑倒风险。平台四周的踢脚板设计，不仅避免落物危险，同时缩小平台与扶手及护栏之间的间距。为平台上的操作人员提供更高的安全保障。

Product introduction 产品介绍



Loading capacity 承载性

The platform floor is composed of step profile and aluminum clamp. The step profile is high strength aluminum which will form a compatible surface with the strut profile and the loading capacity will obviously improved.

平台平面由踏步型材和铝合金夹块组成，踏步型材采用高强度铝合金材质，其与基础框架型材组成完整平面，大大提升负载能力。



Safety and reliability 可靠性

The guardrail is structured by $\Phi 40\text{mm}$ aluminum tube. The design of closed frame forms the continuous guardrail. The flat surface at the connection part of tube and connectors avoid the potential danger to the operator.

护栏支柱为 $\Phi 40\text{mm}$ 的铝管，封闭的圆柱形设计配合管连接件使用可以形成连续扶握的护栏，所有接头处平滑的过渡，最大限度的降低操作人员受伤的风险。



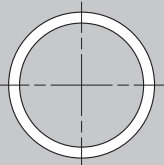
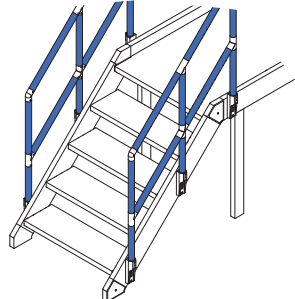

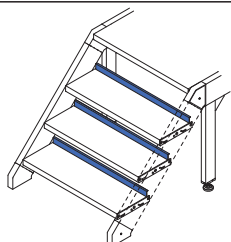

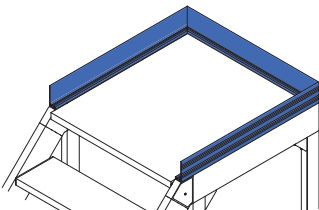
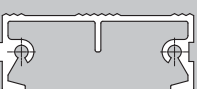
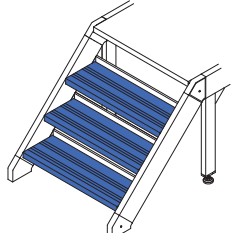
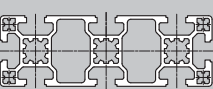
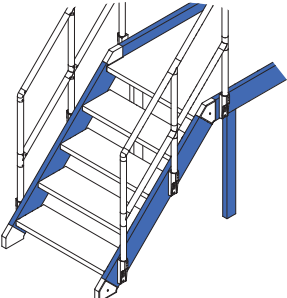

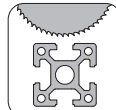
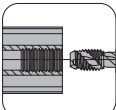
Unlimited possibilities 扩展性

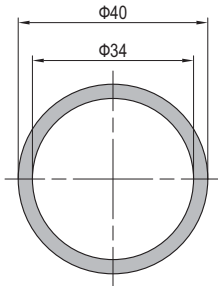
The combination of the step profile and strut profile increase the possibility of application. The system is compatible with most of MAS components which could expand system functionality.

踏步型材与基础型材的完美组合，使其增强了扩展性，可兼容大多数工业组装系统产品组件，以满足客户对产品精益化，多样化工业生产的需求。

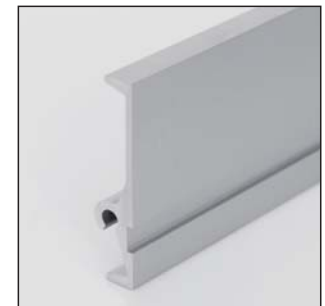
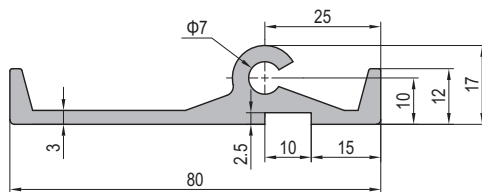
Selection Reference of Standard Unit
型材选型参考

Tube and Extruded aluminum profile as per GB5237-2008, surface satin anodized.
Standard length of delivery profiles are: 6000mm for delivery inside China, 5800mm for international shipment.
铝管、铝型材执行标准GB5237-2008。表面处理为阳极氧化，亚光表面。
标准供货长度：国内长度6米，国外长度5.8米。

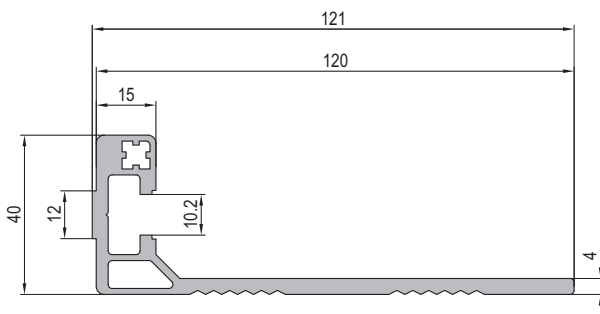
<p>Aluminum Tube $\Phi 40 \times 3$ 铝管 $\Phi 40 \times 3$</p> 	<p>To build the guardrail, $\Phi 40 \text{mm}$. The design of closed frame effectively avoid the damage to the fingers. 铝管用于护栏的支柱，直径$\Phi 40 \text{mm}$。 圆柱形封闭的简洁设计可以有效保护手指。</p>		
<p>Step Protection Profile 梯级挡板型材</p> 	<p>To be used in the inner front side of the step ladder to increase the safety level. 梯级挡板型材用于踏步梯级的前端，增加楼梯的安全性。</p>		
<p>Footrail Profile 踏步踢脚板型材</p> 	<p>To avoid the object falling from the platform. 踏步踢脚板型材是为避免物体由平台平面坠落而放置的安全防护装置。</p>		
<p>Step Profile 踏步型材</p> 	<p>To build the step ladder and working platform and be fixed by clamp to form the platform in any dimensions. 踏步型材用于构建踏步梯级及工作平台，通过夹块紧固可以拼接成任意尺寸的平台。</p>		
<p>Strut Profile PG40 基础框架型材 40系列</p> 	<p>To build the frame support of step and working platform. 基础框架型材主要用于踏步梯级和工作平台的框架支撑。</p>		
<p>Machining Symbol 加工符号</p>	 <p>Drilling 需钻孔</p>	 <p>Angle cutting 需切割角度</p>	 <p>Thread tapping 需攻丝</p>

Aluminum Tube $\Phi 40 \times 3$
 铝管 $\Phi 40 \times 3$


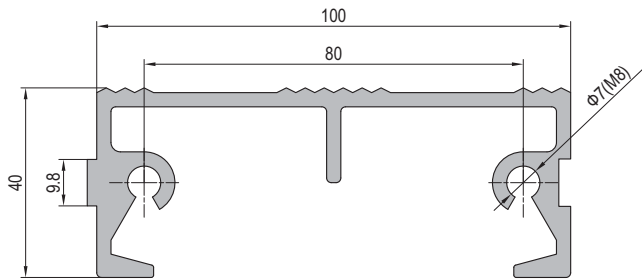
Description 产品描述	Moment of Inertia 惯性矩 $I_x(\text{cm}^4)$	Moment of Inertia 惯性矩 $I_y(\text{cm}^4)$	Moment of Resistance 弯矩 $W_x(\text{cm}^3)$	Moment of Resistance 弯矩 $W_y(\text{cm}^3)$	Mass 重量 (kg/m)	Part No. 订购编号
Aluminum Tube $\Phi 40 \times 3$ 铝管 $\Phi 40 \times 3$	6.0	6.0	3.0	3.0	1.0	SPS.AT40.03

 Step Protection Profile **New!**
 梯级挡板型材


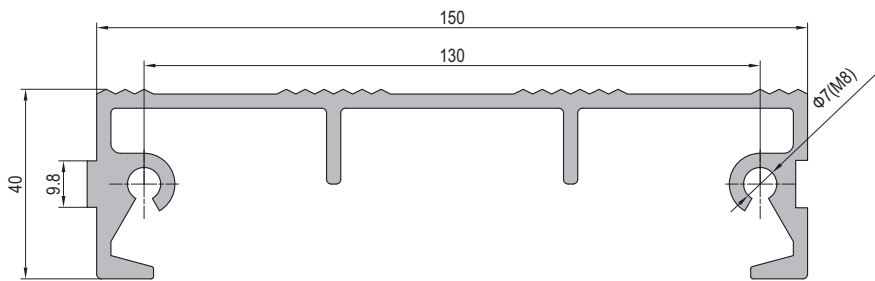
Description 产品描述	Moment of Inertia 惯性矩 $I_x(\text{cm}^4)$	Moment of Inertia 惯性矩 $I_y(\text{cm}^4)$	Moment of Resistance 弯矩 $W_x(\text{cm}^3)$	Moment of Resistance 弯矩 $W_y(\text{cm}^3)$	Mass 重量 (kg/m)	Part No. 订购编号
Step Protection Profile 梯级挡板型材	0.7	24.5	1.2	6.1	1.2	SPS.SS40.80

 Footrail Profile 40x120 **New!**
 踏步踢脚板型材 40x120


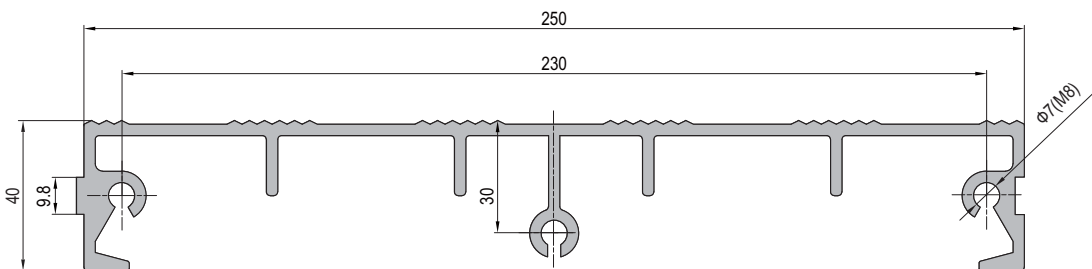
Description 产品描述	Moment of Inertia 惯性矩 $I_x(\text{cm}^4)$	Moment of Inertia 惯性矩 $I_y(\text{cm}^4)$	Moment of Resistance 弯矩 $W_x(\text{cm}^3)$	Moment of Resistance 弯矩 $W_y(\text{cm}^3)$	Mass 重量 (kg/m)	Part No. 订购编号
Footrail Profile 40x120 踏步踢脚板型材 40x120	6.9	122.4	3.5	20.4	1.85	SPS.SS40.120

Step Profile 40x100
 踏步型材 40x100


Description 产品描述	Moment of Inertia 惯性矩 $I_x(\text{cm}^4)$	Moment of Inertia 惯性矩 $I_y(\text{cm}^4)$	Moment of Resistance 弯矩 $W_x(\text{cm}^3)$	Moment of Resistance 弯矩 $W_y(\text{cm}^3)$	Mass 重量 (kg/m)	Part No. 订购编号
Step Profile 40x100 踏步型材 40x100	13.2	128.6	6.6	25.7	2.4	SPS.SP40.100

 Step Profile 40x150
 踏步型材 40x150


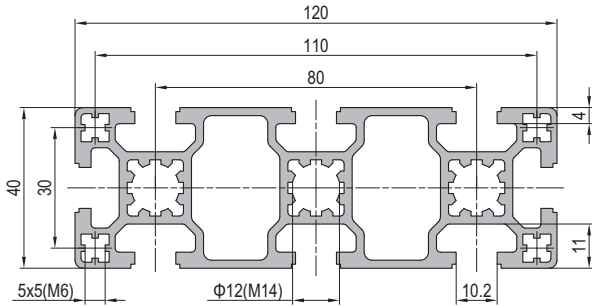
Description 产品描述	Moment of Inertia 惯性矩 $I_x(\text{cm}^4)$	Moment of Inertia 惯性矩 $I_y(\text{cm}^4)$	Moment of Resistance 弯矩 $W_x(\text{cm}^3)$	Moment of Resistance 弯矩 $W_y(\text{cm}^3)$	Mass 重量 (kg/m)	Part No. 订购编号
Step Profile 40x150 踏步型材 40x150	15.4	342	7.7	45.6	2.9	SPS.SP40.150

 Step Profile 40x250 New!
 踏步型材 40x250


Description 产品描述	Moment of Inertia 惯性矩 $I_x(\text{cm}^4)$	Moment of Inertia 惯性矩 $I_y(\text{cm}^4)$	Moment of Resistance 弯矩 $W_x(\text{cm}^3)$	Moment of Resistance 弯矩 $W_y(\text{cm}^3)$	Mass 重量 (kg/m)	Part No. 订购编号
Step Profile 40x250 踏步型材 40x250	21.5	1201	10.7	96	4.5	SPS.SP40.250

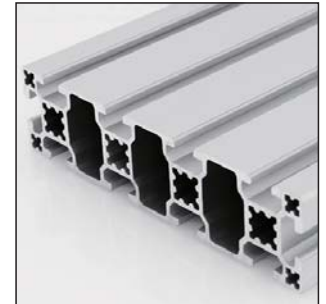
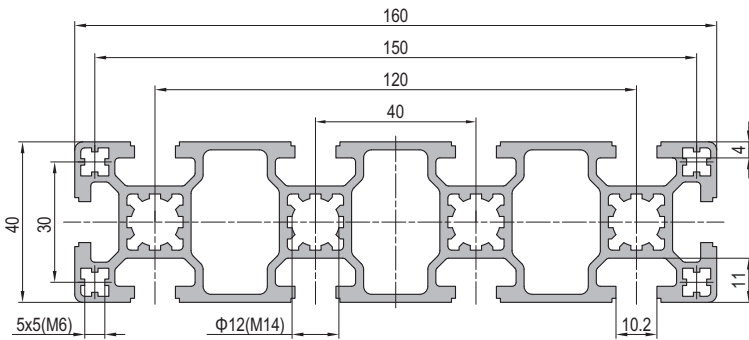


Strut Profile PG40 40x120 8 slots
基础框架型材 40系列 40x120 8槽



Description 产品描述	Moment of Inertia 惯性矩 $I_x(\text{cm}^4)$	Moment of Inertia 惯性矩 $I_y(\text{cm}^4)$	Moment of Resistance 弯矩 $W_x(\text{cm}^3)$	Moment of Resistance 弯矩 $W_y(\text{cm}^3)$	Mass 重量 (kg/m)	Part No. 订购编号
Strut Profile PG40x120 8 slots 基础框架型材 40系列 40x120 8槽	24.1	194.8	12.1	32.5	3.8	1.11.40.040120.08

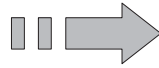
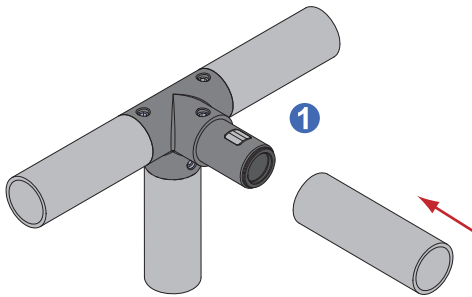
Strut Profile PG40 40x160 10 slots
基础框架型材 40系列 40x160 10槽



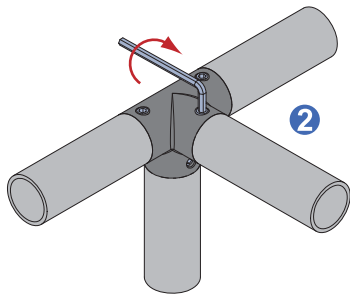
Description 产品描述	Moment of Inertia 惯性矩 $I_x(\text{cm}^4)$	Moment of Inertia 惯性矩 $I_y(\text{cm}^4)$	Moment of Resistance 弯矩 $W_x(\text{cm}^3)$	Moment of Resistance 弯矩 $W_y(\text{cm}^3)$	Mass 重量 (kg/m)	Part No. 订购编号
Strut Profile PG40x160 10 slots 基础框架型材 40系列 40x160 10槽	31.6	435.7	15.8	54.5	4.8	1.11.40.040160.10

Tube Connector
管连接件

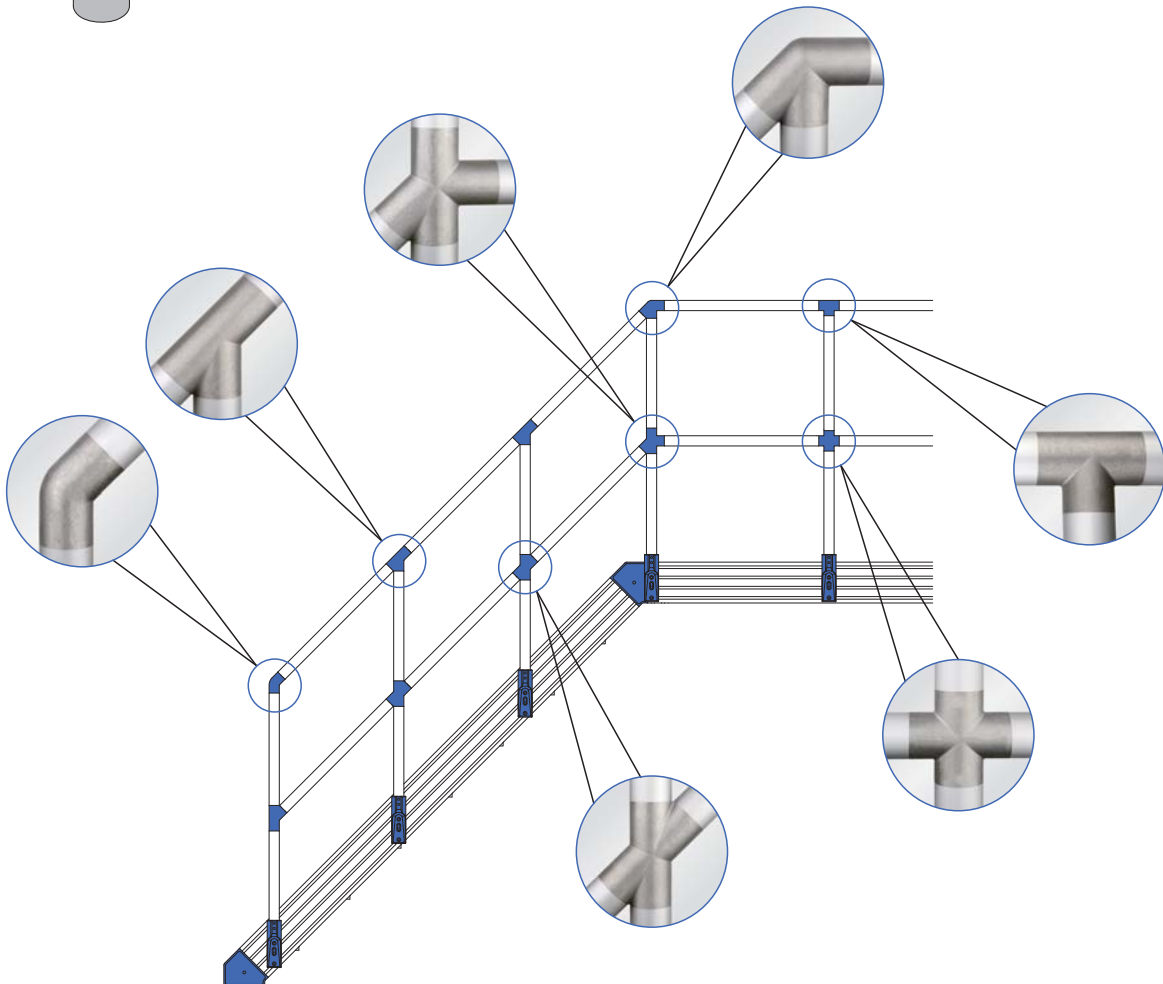
Tube Connectors use special internal locking system which connects the tubes by simply fastening screws without any extra machine work. 工业踏步及走台系统中的管连接件采用内藏式特殊锁紧机构，仅通过旋转紧定螺钉即可实现管与管连接件的锁紧，铝管只需切割到固定长度不需其它加工，连接方便快捷。



Tube Connectors use special internal locking
将铝管插入管连接件中。



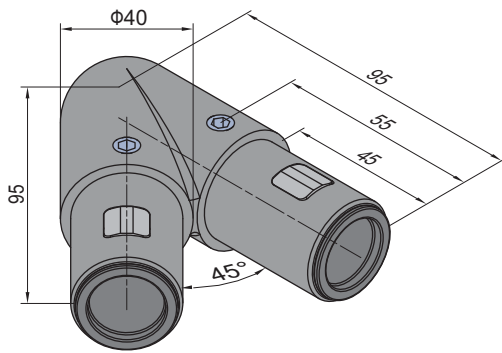
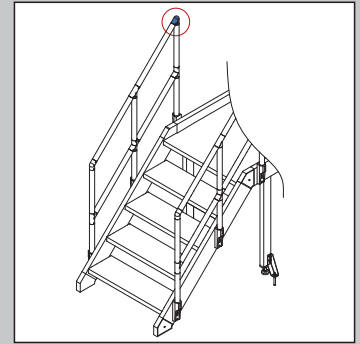
Tube Connectors use special internal lockings
用扳手扭紧顶丝，使铝管与管连接件锁紧。





V Connector
V 形接头

Material: diecast aluminum polished finish surface
材质: 压铸铝合金 表面处理: 光饰

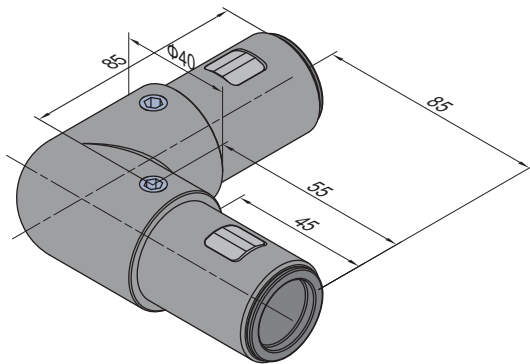
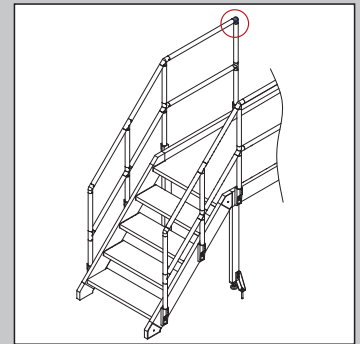


Description 产品描述	Mass (g) 重量 (g)	Part No. 订购编号
V Connector V 形接头	550	SPS.JC40.V



L Connector
L 形接头

Material: diecast aluminum polished finish surface
材质: 压铸铝合金 表面处理: 光饰

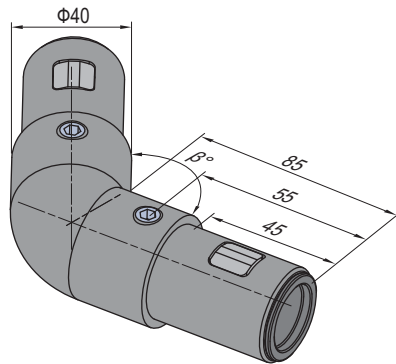
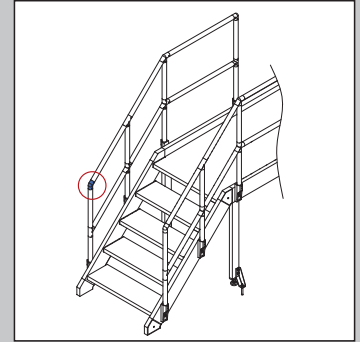


Description 产品描述	Mass (g) 重量 (g)	Part No. 订购编号
L Connector L 形接头	518	SPS.JC40.L



Angle Connector 角度接头

Material: diecast aluminum polished finish surface
材质: 压铸铝合金 表面处理: 光饰

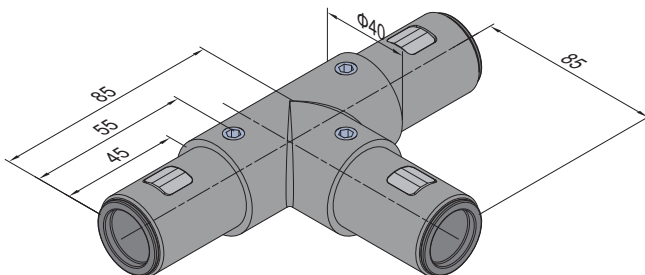
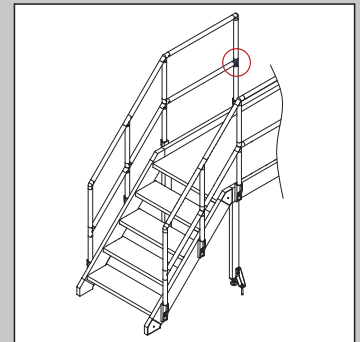


Description 产品描述	β°	Mass (g) 重量 (g)	Part No. 订购编号
120° Connector 120° 接头	120°	521	SPS.JC40.A120
135° Connector 135° 接头	135°	523	SPS.JC40.A135
150° Connector 150° 接头	150°	525	SPS.JC40.A150



T Connector T形接头

Material: diecast aluminum polished finish surface
材质: 压铸铝合金 表面处理: 光饰

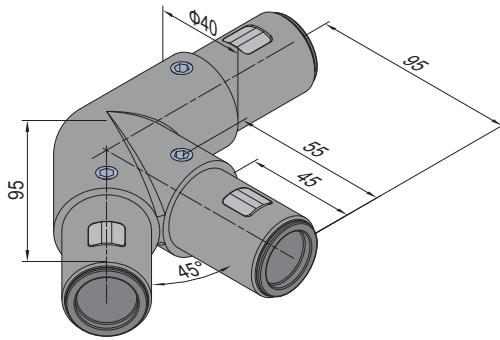
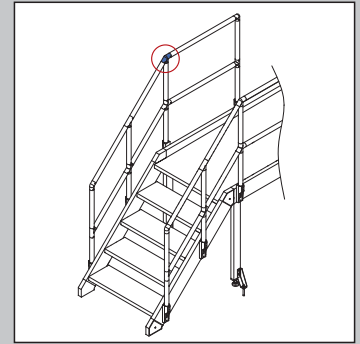


Description 产品描述	Mass (g) 重量 (g)	Part No. 订购编号
T Connector T形接头	728	SPS.JC40.T



45°L Connector (Left)
45°L 形接头 (左)

Material: diecast aluminum polished finish surface
材质: 压铸铝合金 表面处理: 光饰

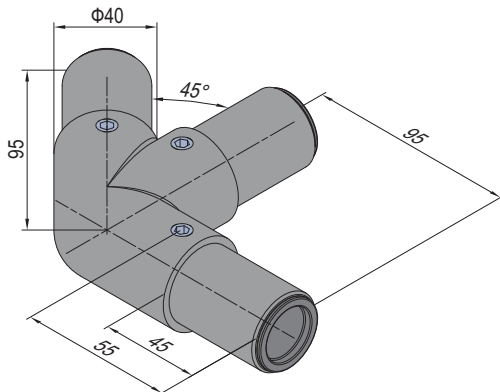
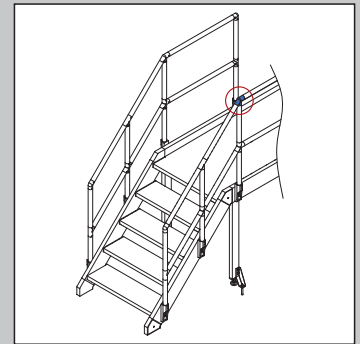


Description 产品描述	Mass (g) 重量 (g)	Part No. 订购编号
45°L Connector (Left) 45°L 形接头 (左)	728	SPS.JC40.A45L.L



45°L Connector (Right)
45°L 形接头 (右)

Material: diecast aluminum polished finish surface
材质: 压铸铝合金 表面处理: 光饰

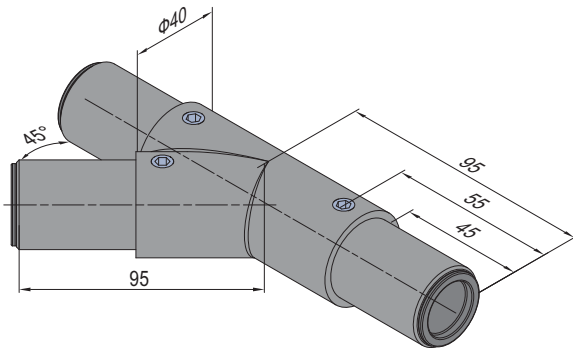
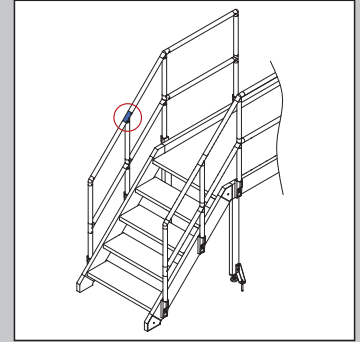


Description 产品描述	Mass (g) 重量 (g)	Part No. 订购编号
45°L Connector (Right) 45°L 形接头 (右)	728	SPS.JC40.A45L.R



45°Y Connector (Left)
45°Y 形接头 (左)

Material: diecast aluminum polished finish surface
材质: 压铸铝合金 表面处理: 光饰

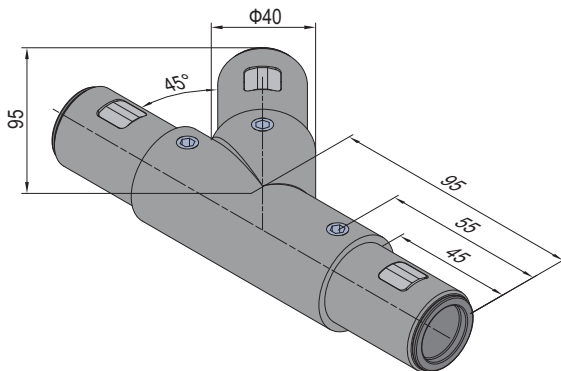
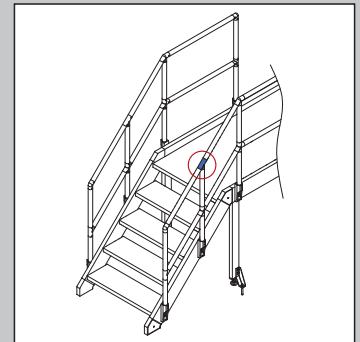


Description 产品描述	Mass (g) 重量 (g)	Part No. 订购编号
45°Y Connector (Left) 45°Y 形接头 (左)	801	SPS.JC40.A45Y.L



45°Y Connector (Right)
45°Y 形接头 (右)

Material: diecast aluminum polished finish surface
材质: 压铸铝合金 表面处理: 光饰

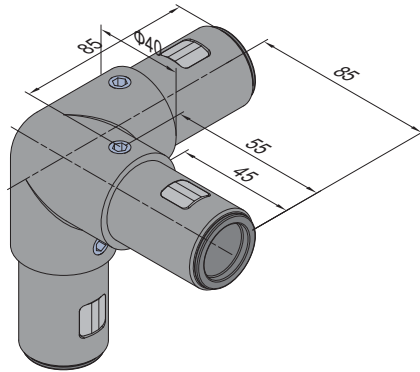
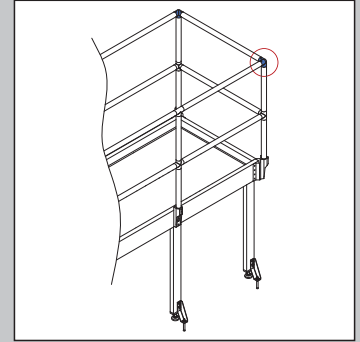


Description 产品描述	Mass (g) 重量 (g)	Part No. 订购编号
45°Y Connector (Right) 45°Y 形接头 (右)	801	SPS.JC40.A45Y.R



90°L Connector
90°L 形接头

Material: diecast aluminum polished finish surface
材质: 压铸铝合金 表面处理: 光饰

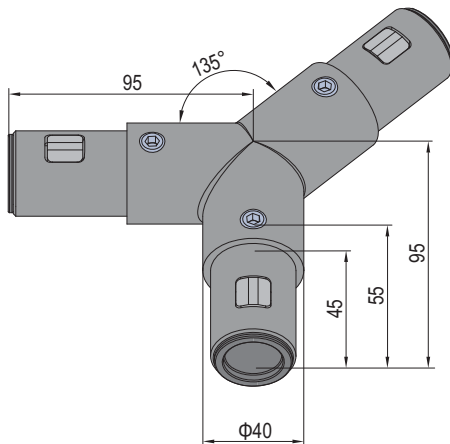
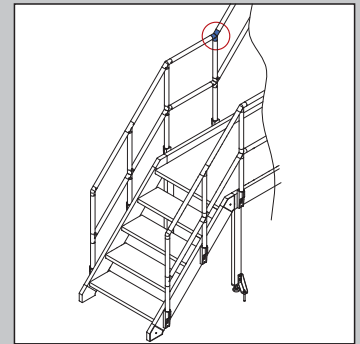


Description 产品描述	Mass (g) 重量 (g)	Part No. 订购编号
90°L Connector 90°L 形接头	723	SPS.JC40.A90L



135°L Connector
135°L 形接头

Material: diecast aluminum polished finish surface
材质: 压铸铝合金 表面处理: 光饰

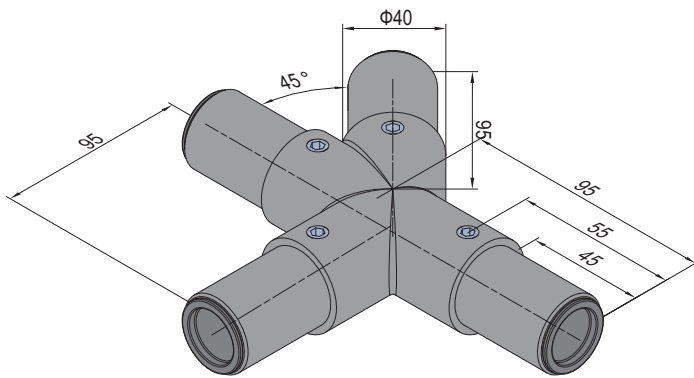
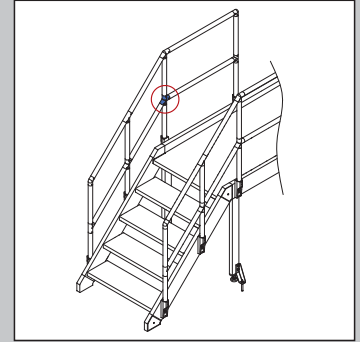


Description 产品描述	Mass (g) 重量 (g)	Part No. 订购编号
135°L Connector 135°L 形接头	814	SPS.JC40.A135L



45°T Connector (Left)
45°T 形接头 (左)

Material: diecast aluminum polished finish surface
材质: 压铸铝合金 表面处理: 光饰

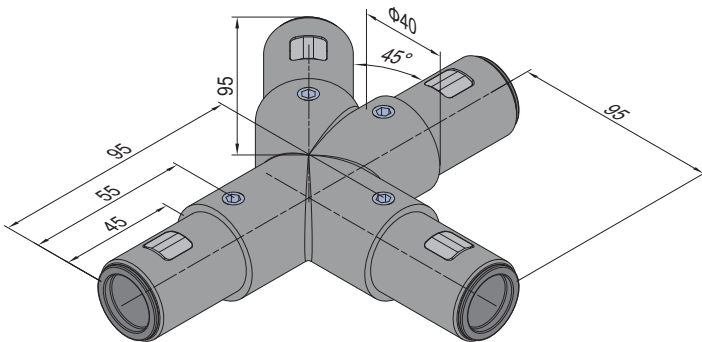
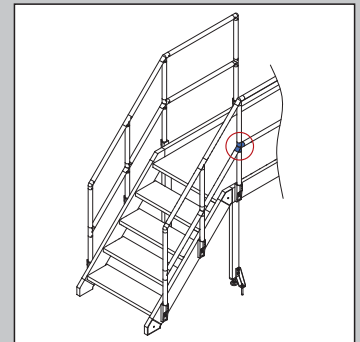


Description 产品描述	Mass (g) 重量 (g)	Part No. 订购编号
45°T Connector (Left) 45°T 形接头 (左)	1037	SPS.JC40.A45T.L



45°T Connector (Right)
45°T 形接头 (右)

Material: diecast aluminum polished finish surface
材质: 压铸铝合金 表面处理: 光饰

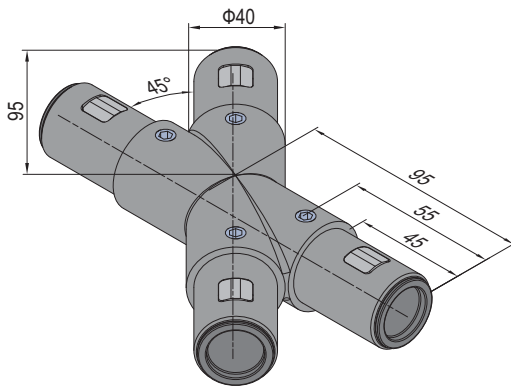
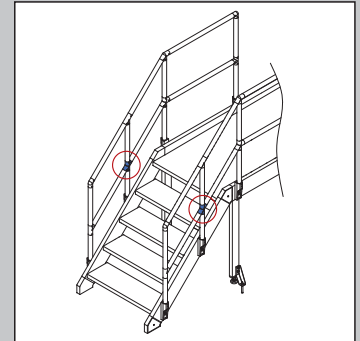


Description 产品描述	Mass (g) 重量 (g)	Part No. 订购编号
45°T Connector (Right) 45°T 形接头 (右)	1037	SPS.JC40.A45T.R



X Connector
X 形接头

Material: diecast aluminum polished finish surface
材质: 压铸铝合金 表面处理: 光饰

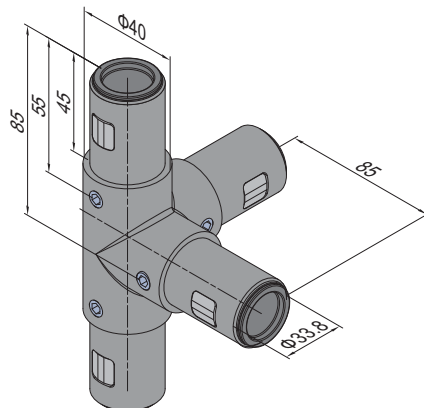
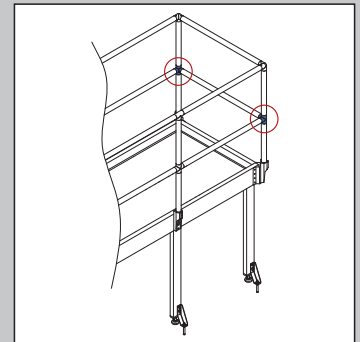


Description 产品描述	Mass (g) 重量 (g)	Part No. 订购编号
X Connector X 形接头	1012	SPS.JC40.X



90°T Connector
90°T 形接头

Material: diecast aluminum polished finish surface
材质: 压铸铝合金 表面处理: 光饰

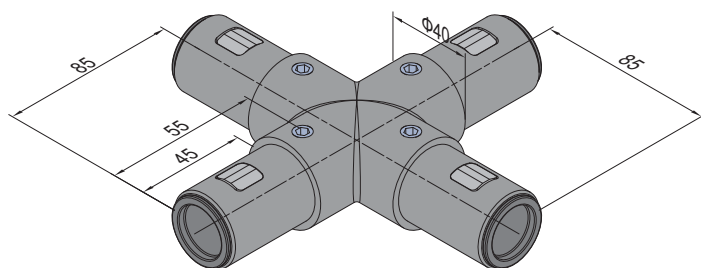
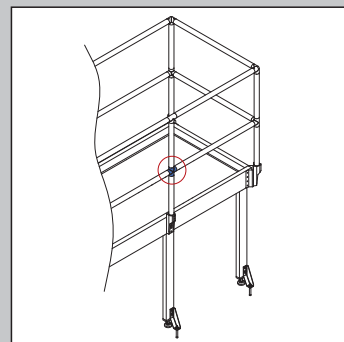


Description 产品描述	Mass (g) 重量 (g)	Part No. 订购编号
90°T Connector 90°T 形接头	934	SPS.JC40.A90T



Cross Connector
十字形接头

Material: diecast aluminum polished finish surface
材质: 压铸铝合金 表面处理: 光饰

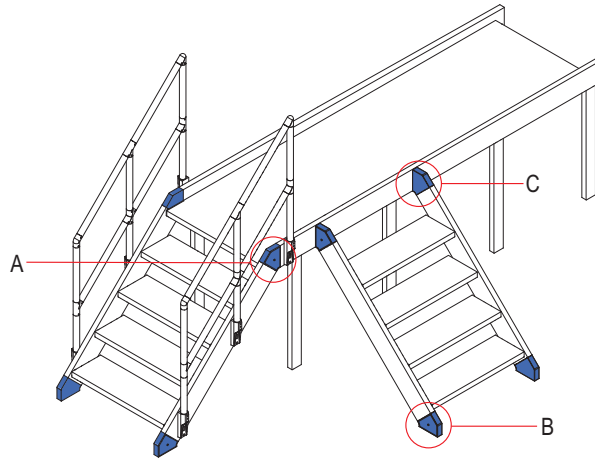
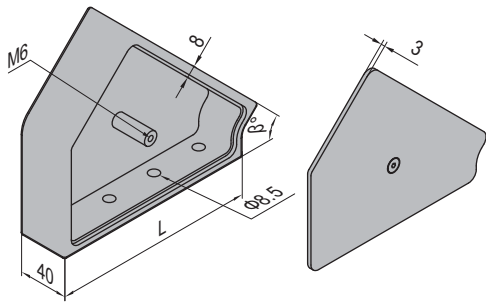







Description 产品描述	Mass (g) 重量 (g)	Part No. 订购编号
Cross Connector 十字形接头	932	SPS.JC40.C

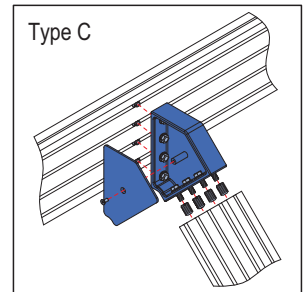
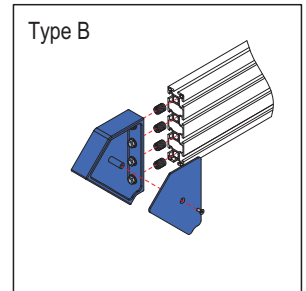
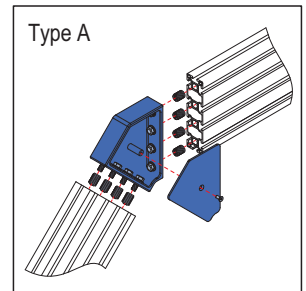


Stair Joint 踏步角连接件

For connection between 40x120mm and 40x160mm profile step frame and platform frame .
 用于40x120mm和40x160mm型材作为踏步梯级侧边框架和平台框架之间的连接。
 Material: diecast aluminum polished finish surface
 材质: 压铸铝合金 表面处理: 光饰



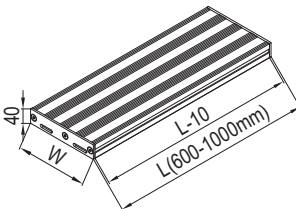



HM	Fastening Set	GC	Fastening Set	PE	Fastening Set
	M6x20 Bolt zinc plated		M8x16 Bolt zinc plated		M6x12 Bolt zinc plated
	M14-M8 hole reducer bolt nickel plated		M8 T Nut nickel plated		



Description 产品描述	L (mm)	β°	Fastening Set 紧固组件	Mass (g) 重量 (g)	Part No. 订购编号
30° Stair Joint-Type A 30° 踏步角连接件-A型	120	30°	6xHM+1xPE	803	SPS.SJ40.30A.40120 New!
	160		8xHM+1xPE	1135	SPS.SJ40.30A
30° Stair Joint-Type B 30° 踏步角连接件-B型	120		3xHM+1xPE	710	SPS.SJ40.30B.40120 New!
	160		4xHM+1xPE	1010	SPS.SJ40.30B
30° Stair Joint-Type C 30° 踏步角连接件-C型	120	30°	3xHM+3xGC+1xPE	785	SPS.SJ40.30C.40120 New!
	160		4xHM+4xGC+1xPE	1147	SPS.SJ40.30C
45° Stair Joint-Type A 45° 踏步角连接件-A型	120	45°	6xHM+1xPE	878	SPS.SJ40.45A.40120 New!
	160		8xHM+1xPE	1044	SPS.SJ40.45A
45° Stair Joint-Type B 45° 踏步角连接件-B型	120		3xHM+1xPE	785	SPS.SJ40.45B.40120 New!
	160		4xHM+1xPE	932	SPS.SJ40.45B
45° Stair Joint-Type C 45° 踏步角连接件-C型	120	45°	3xHM+3xGC+1xPE	860	SPS.SJ40.45C.40120 New!
	160		4xHM+4xGC+1xPE	1068	SPS.SJ40.45C
60° Stair Joint-Type A 60° 踏步角连接件-A型	120	60°	6xHM+1xPE	1005	SPS.SJ40.60A.40120 New!
	160		8xHM+1xPE	1495	SPS.SJ40.60A
60° Stair Joint-Type B 60° 踏步角连接件-B型	120		3xHM+1xPE	912	SPS.SJ40.60B.40120 New!
	160		4xHM+1xPE	1370	SPS.SJ40.60B
60° Stair Joint-Type C 60° 踏步角连接件-C型	120	60°	3xHM+3xGC+1xPE	1158	SPS.SJ40.60C.40120 New!
	160		4xHM+4xGC+1xPE	1507	SPS.SJ40.60C





Step Ladder 踏步梯级	Angle of Ladder 楼梯角度	Strut Profile 侧边框架型材	W (mm)	L (mm)	Mass (g) 重量 (g)	Part No. 订购编号
	Angle 30° 角度30° 	40x120	250	800	4727	SPS.SL250.40120
		40x160	300		5188	SPS.SL300.40160
	Angle 45° 角度45° 	40x120	200		4183	SPS.SL200.40120
		40x160	250		4727	SPS.SL250.40160
	Angle 60° 角度60° 	40x120	150		2570	SPS.SL150.40120
		40x160	200		4183	SPS.SL200.40160

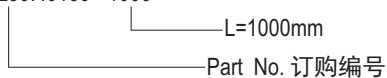
Note:1. Offer per set (including the clamps and fasteners).

备注: 成套供货 (含夹块和紧固件)。

2. The length could be customized according to customer's requirement (600~1000mm)

L值可根据客户要求订做 (600~1000mm)。

ex: SPS.SL250.40160 - 1000





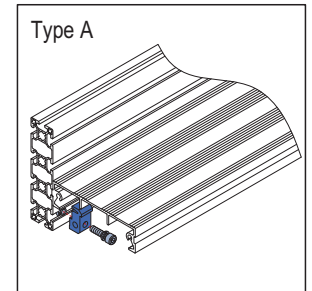
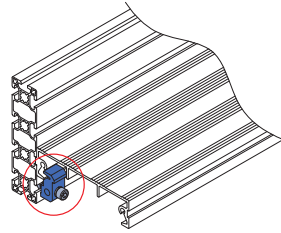
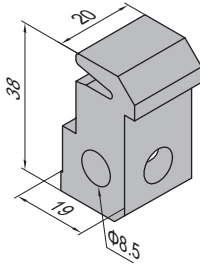
Clamp 夹块

For connection between step profiles to build the platform with profiles put in parallel (Suggest to install every 300mm).

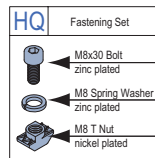
用于踏步型材之间及踏步型材与框架型材之间的连接，多个踏步型材平行拼接可以构建任意长度及宽度的工作平台(建议安装间距为300mm)。

Material: aluminum
材质：铝合金

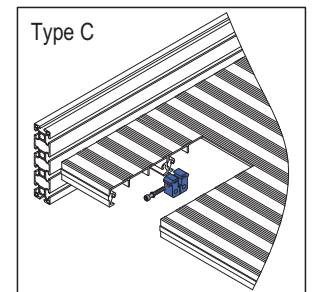
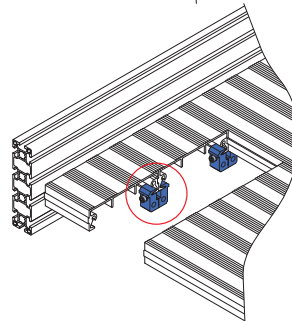
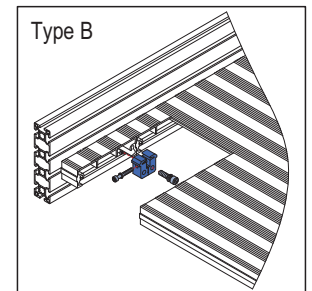
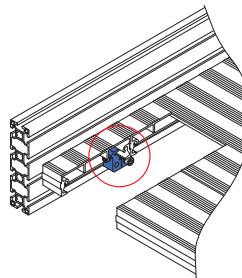
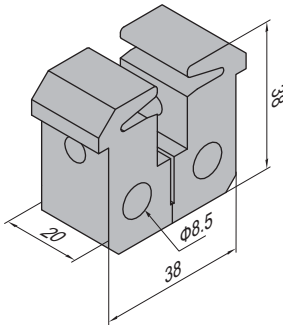
Clamp Type A
夹块 A型



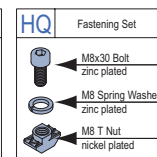
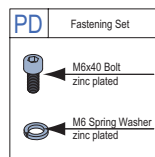
Description 产品描述	Fastening Set 紧固组件	Mass (g) 重量 (g)	Part No. 订购编号
Clamp Type A 夹块 A型	1xHQ	52	SPS.CL40.A



Clamp Type B/C
夹块 B/C型



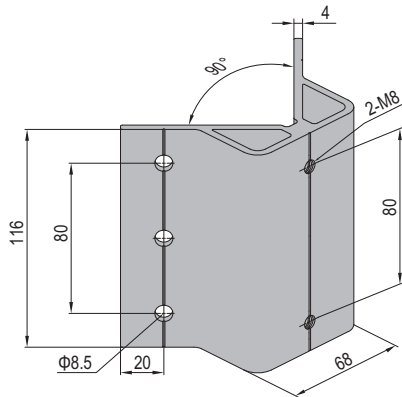
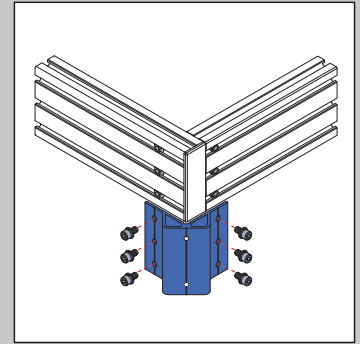
Description 产品描述	Fastening Set 紧固组件	Mass (g) 重量 (g)	Part No. 订购编号
Clamp Type B 夹块 B型	1xPD+1xHQ	70	SPS.CL40.B
Clamp Type C 夹块 C型	1xPD	68.5	SPS.CL40.C New!





Angle Plate-40x120 New!
角转接板-40x120

For the connection between handrail and frame profile of 40x120mm at the 90° corner of the platform.
用于平台90°转角时扶手与40x120mm框架型材的固定。
Material and Color: aluminum, nature anodized
材质: 铝合金 表面处理: 阳极氧化



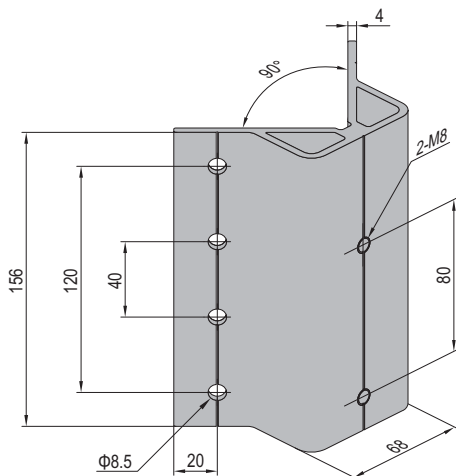
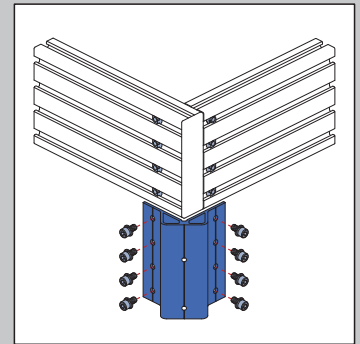
GB	Fastening Set
	MBx16 Bolt
	zinc plated
	M8 Spring Washer
	zinc plated
	M8 Washer
	zinc plated
	M8 T Nut
	nickel plated

Description 产品描述	Fastening Set 紧固组件	Mass (g) 重量 (g)	Part No. 订购编号
Angle Plate-40x120 角转接板-40x120	6xGB	504	SPS.AP40.120



Angle Plate-40x160 New!
角转接板-40x160

For the connection between handrail and frame profile of 40x160mm at the 90° corner of the platform.
用于平台90°转角时扶手与40x160mm框架型材的固定。
Material and Color: aluminum, nature anodized
材质: 铝合金 表面处理: 阳极氧化



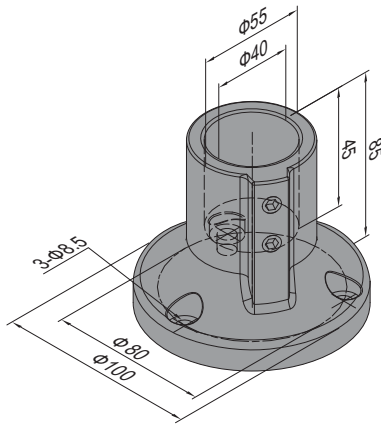
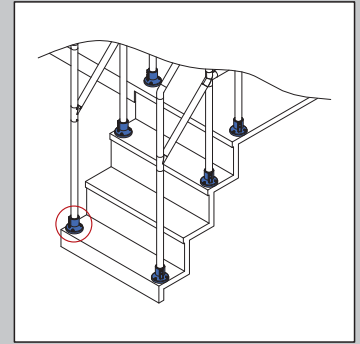
GB	Fastening Set
	MBx16 Bolt
	zinc plated
	M8 Spring Washer
	zinc plated
	M8 Washer
	zinc plated
	M8 T Nut
	nickel plated

Description 产品描述	Fastening Set 紧固组件	Mass (g) 重量 (g)	Part No. 订购编号
Angle Plate-40160 角转接板-40160	8xGB	920	SPS.AP40.160



Round Base 圆形支座

For fixation of handrail or guardrail on the platform, floor and wall.
用于扶手或护栏与平台、地面、墙面的固定。
Material: diecast aluminum polished finish surface
材质: 压铸铝合金 表面处理: 光饰



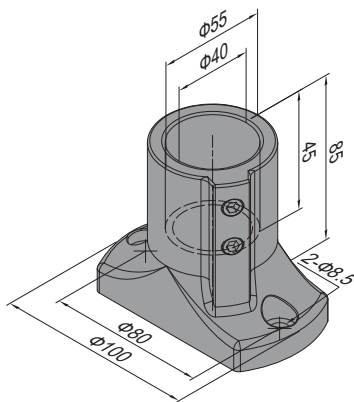
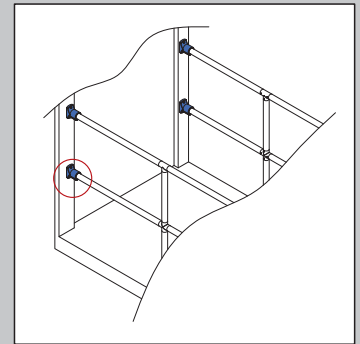
CT	Fastening Set
	M8x20 Bolt zinc plated
	M8 Spring Washer zinc plated

Description 产品描述	Fastening Set 紧固组件	Mass (g) 重量 (g)	Part No. 订购编号
Round Base 圆形支座	3xCT	635	SPS.BA40.R



T Base T形支座

For fixation of handrail or guardrail on the platform, floor and wall.
用于扶手或护栏与平台、地面、墙面的固定。
Material: diecast aluminum polished finish surface
材质: 压铸铝合金 表面处理: 光饰



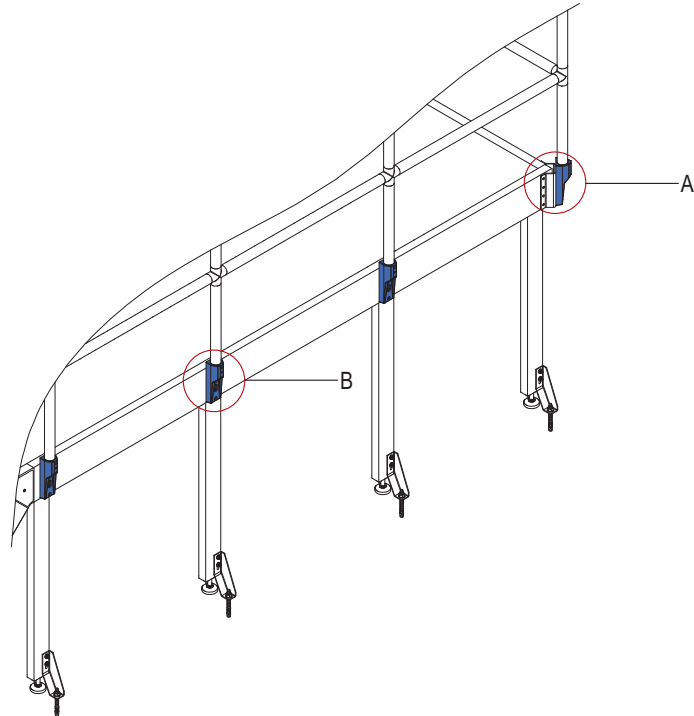
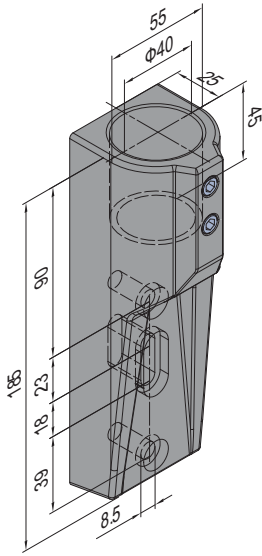
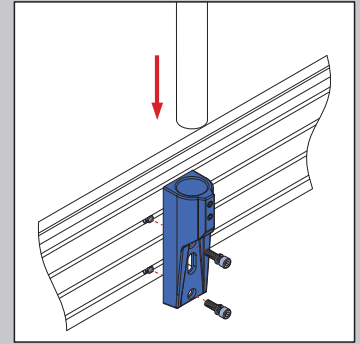
CT	Fastening Set
	M8x20 Bolt zinc plated
	M8 Spring Washer zinc plated

Description 产品描述	Fastening Set 紧固组件	Mass (g) 重量 (g)	Part No. 订购编号
T Base T形支座	2xCT	491	SPS.BA40.T



Side Base 侧边支座

For fixation of handrail or guardrail on the platform frame.
用于扶手护栏与平台框架的固定。
Material: diecast aluminum polished finish surface
材质: 压铸铝合金 表面处理: 光饰



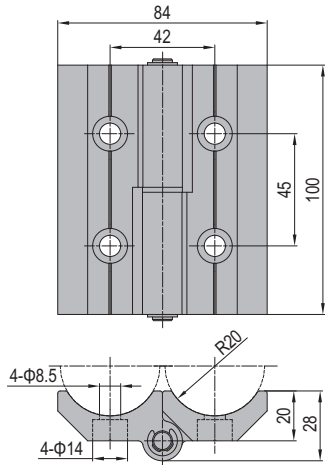
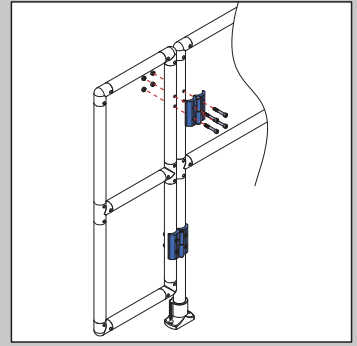
Description 产品描述	Fastening Set 紧固组件	Mass (g) 重量 (g)	Part No. 订购编号
Side Base-A (with top thread) 侧边支座-A (含顶丝)	2xCR	695	SPS.BA.S
Side Base-B (with top thread) 侧边支座-B (含顶丝)	2xHQ	707	SPS.BA.S.ST

CR	Fastening Set	HQ	Fastening Set
	M8x30 Bolt zinc plated		M8x30 Bolt zinc plated
	M8 Spring Washer zinc plated		M8 Spring Washer zinc plated
			M8 T Nut nickel plated



Guardrail Hinge *New!*
护栏合页

Material: aluminum anodized
材质: 铝合金 表面处理: 阳极氧化



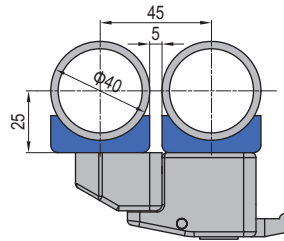
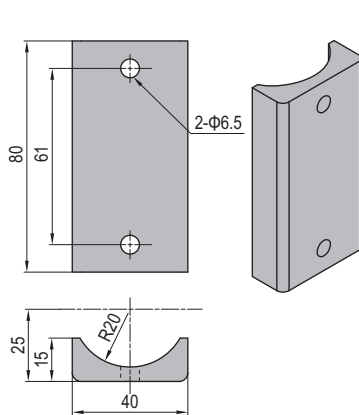
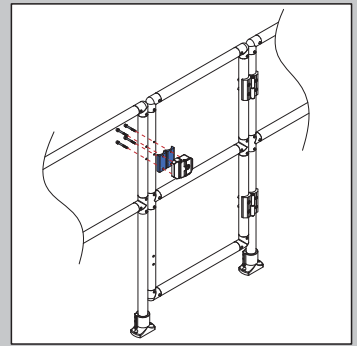
GN Fastening Set	
	M8x50 Bolt zinc plated
	M8 Spring Washer zinc plated
	M8 Hexagon Nut zinc plated

Description 产品描述	Fastening Set 紧固组件	Mass (g) 重量 (g)	Part No. 订购编号
Guardrail Hinge 护栏合页	4xGN	458	SPS.GH40



Lock Adapter *New!*
门锁转换块

Material: 6063-T5 anodized (cutting end not anodized)
材质: 6063-T5 表面处理: 阳极氧化(切面无处理)



EF Fastening Set	
	M6x60 Bolt zinc plated
	M6 Spring Washer zinc plated
	M6 Washer zinc plated

Description 产品描述	Fastening Set 紧固组件	Mass (g) 重量 (g)	Part No. 订购编号
Lock Adapter 门锁转换块	2xEF	107	SPS.LA40
Lock (pcs) 门锁 (单个供货)		690	7.31

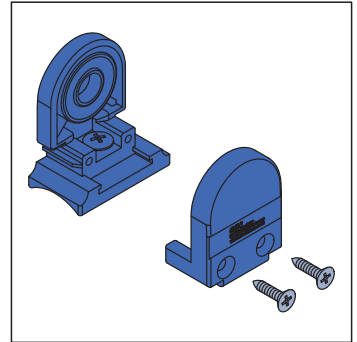
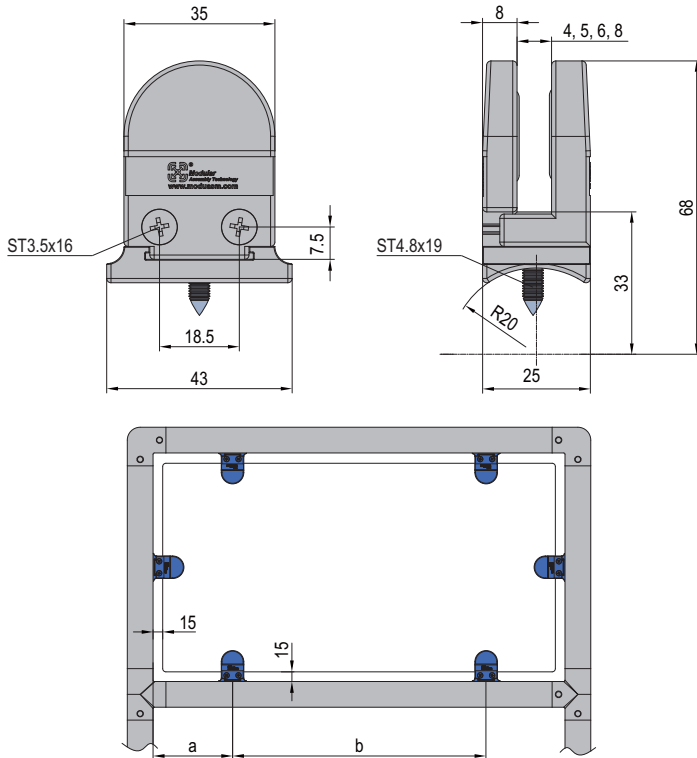
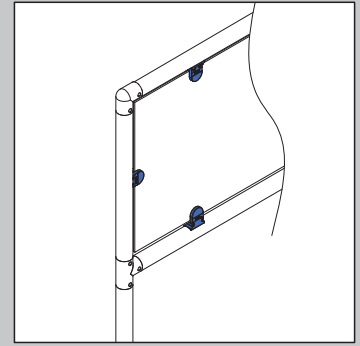
Note: Including special nuts.
备注: 含门锁专用螺母。



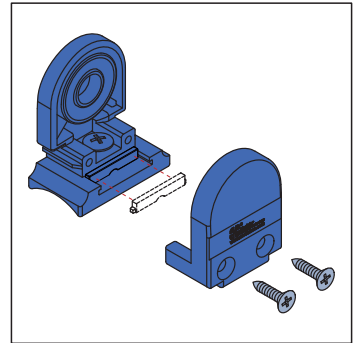


Panel Block New!
夹板块

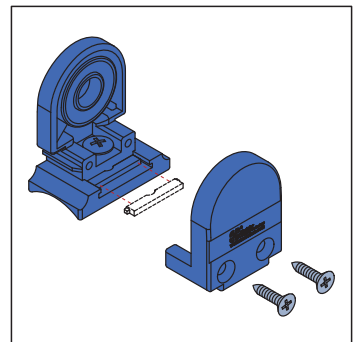
The panel block is used to attach the panel with 4mm-8mm thickness to the tube, which is with good connection strength.
用于4mm-8mm的板材与铝管的连接，拥有较强的连接强度。
Material and color : ABS black patterns
材质：ABS 表面处理：皮纹 颜色：黑色



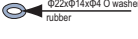
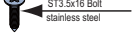
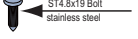
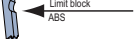
Note: Installation figure for 4mm and 5mm panel.
使用4mm, 5mm板安装示意图



Note: Installation figure for 6mm panel.
使用6mm板安装示意图



Note: Installation figure for 8mm panel.
使用8mm板安装示意图

ER Fastening Set	ES Fastening Set	ET Fastening Set	EO Fastening Set
			

Description 产品描述	Fastening Set 紧固组件	Mass (g) 重量 (g)	Part No. 订购编号
Panel Block 夹板块(4mm/5mm)	2xER+2xES+1xET	32	SPS.TP40.01
Panel Block 夹板块(6mm/8mm)	2xER+2xES+1xET+1xEO	33	SPS.TP40.01.PS

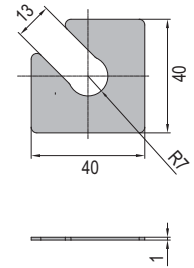
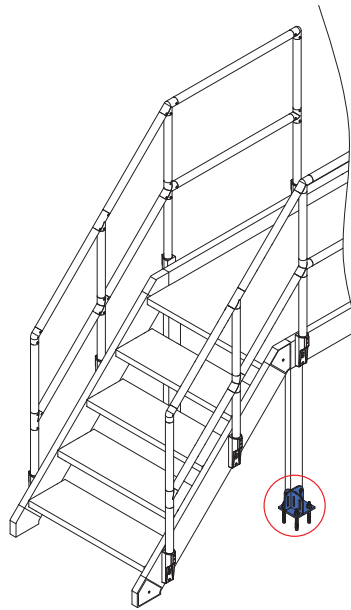
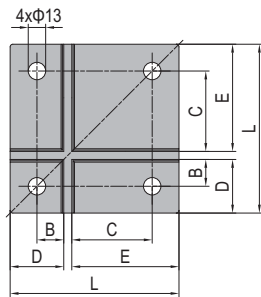
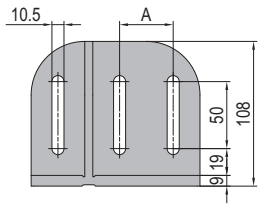
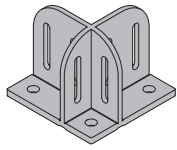
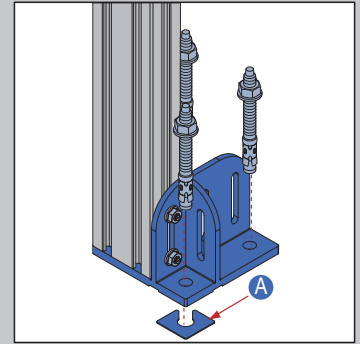
- ⚠ Note: 4mm hole need to be drilled on $\Phi 40$ pipe. The panel block is fixed in the pipe with self tapping screw.
需要在 $\Phi 40$ 的铝管上钻4mm孔，通过自攻螺钉将夹板块固定在铝管上。
- ⚠ Note: The distance a between the panel block and column shall be $100\text{mm} < a < 200\text{mm}$. It is suggested that the distance between panel blocks is 400mm to ensure the installation strength.
夹板块与立柱间距a需满足 $100\text{mm} < a < 200\text{mm}$ ，建议夹板块安装的距离b为400mm以确保安装强度。
- ⚠ Note: The panel block can be only used in close structure.
夹板块只能在封闭的框架结构中使用。



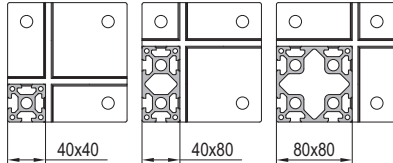






Base Plate 隔断支脚

To support strut profile at the bottom. Expansion bolts chocked into floor can offer a high stability.
隔断支脚用于型材的底部支撑，使用膨胀螺栓置入地下更能提高稳定性。
Material and surface treatment: cast steel, black electrophoresis
材质：铸钢 表面处理：黑色电泳



Base Plate Gasket
隔断支脚垫片 **A**
To adjust the degree of vertical profile and uneven ground.
隔断支脚垫片用于地面不平,调整型材与地面垂直度。



C	Fastening Set	AA	Fastening Set	AZ	Fastening Set
	M8 Flange Nut zinc plated		M10x100 expansion bolt zinc plated		Base Plate Washer zinc plated
	M8x25 T Bolt nickel plated				

Description 产品描述	L (mm)	A (mm)	B (mm)	C (mm)	D (mm)	E (mm)	Fastening Set 紧固组件	Mass 重量 (g)	Part No. 订购编号
Base Plate-4080 (pcs) 隔断支脚-4080 (单个供货)	126	40	20	60	40	80	2x AZ	1930	5.11.4080
Base Plate-4080 (set A) 隔断支脚-4080 (成套供货A)							4x C +3x AA +2x AZ	2240	5.11.4080.STA
Base Plate-4080 (set B) 隔断支脚-4080 (成套供货B)							6x C +3x AA +2x AZ	2290	5.11.4080.STB
Base Plate-4080 (set C) 隔断支脚-4080 (成套供货C)							8x C +3x AA +2x AZ	2340	5.11.4080.STC
Base Plate Gasket A 隔断支脚垫片								9	5.11.01



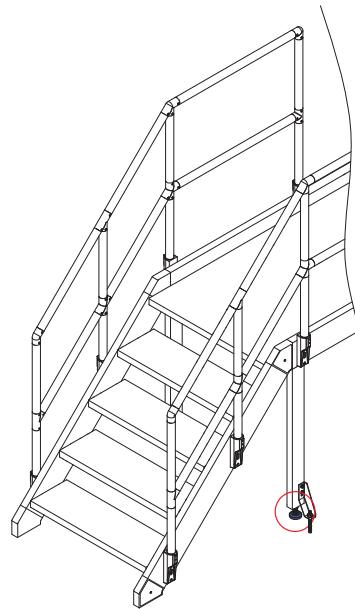
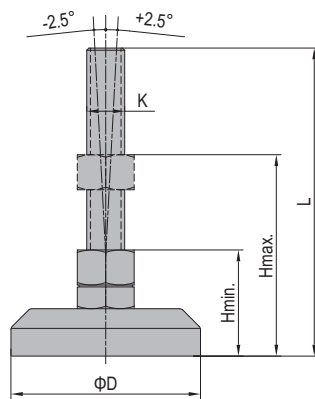
Pivot Foot 金属微调支脚

To support structure where gradual height adjustment is needed, the pivot foot has a small swiveling angle to fit slightly uneven floor. The connection between the pivot base and the spindle can be released with a tool.

金属微调支脚用来支撑需要调整高度的框架结构，调节角度较小，适用于相对较平整的地面。此支脚的牙杆和底盘可用工具拆分。

Material: zinc plated steel/stainless steel

材质：碳钢镀锌/不锈钢

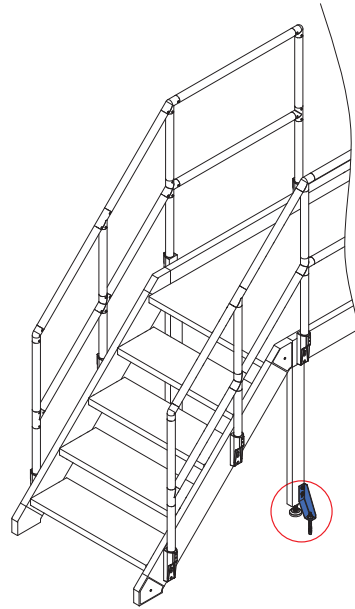
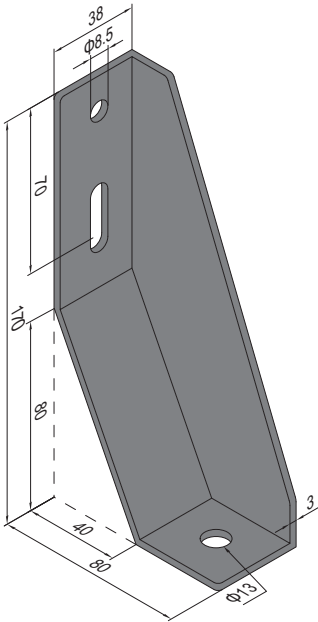


Description 产品描述	D (mm)	KxL (mm)	H min. (mm)	H max. (mm)	Max. Static Load 最大静态载(N)	Mass 重量(g)	Part No. 订购编号
Pivot Foot-Zinc Plate Steel 金属微调支脚-碳钢镀锌	60	M16x158	45	120	20000	596	5.24.60.16.160
		M20x178	50	130	25000	796	5.24.60.20.180
	80	M16x158	45	120	20000	780	5.24.80.16.160
		M20x178	50	130	25000	945	5.24.80.20.180
Pivot Foot-Stainless Steel 金属微调支脚-不锈钢	60	M16x158	45	120	20000	600	5.24.60.16.160.SS
		M20x178	50	130	25000	803	5.24.60.20.180.SS
	80	M16x158	45	120	20000	785	5.24.80.16.160.SS
		M20x178	50	130	25000	950	5.24.80.20.180.SS

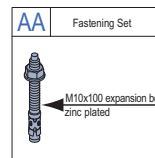
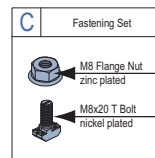


Base Angle 板支脚

To improve stability of structure supported by leveling foot.
板支脚配合支脚，有辅助支撑的作用，使框架更加稳定牢固。
Material: steel, black electrophoresis
材质：碳钢 颜色：黑色电泳



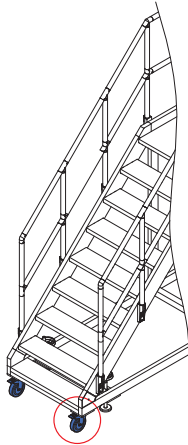
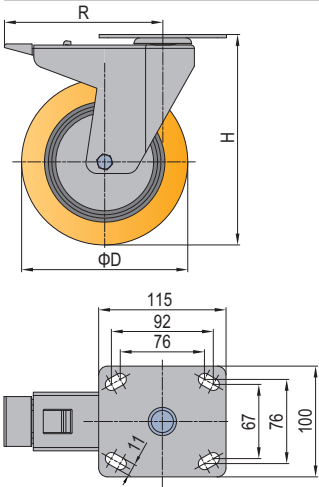
Description 产品描述	Fastening Set 紧固组件	Mass 重量 (g)	Part No. 订购编号
Base Angle-Left (pcs) 板支脚-左 (单个供货)		346	5.51.L
Base Angle-Left (set) 板支脚-左 (成套供货)	2xC+1xAA	473	5.51.L.ST
Base Angle-Right (pcs) 板支脚-右 (单个供货)		346	5.51.R
Base Angle-Right (set) 板支脚-右 (成套供货)	2xC+1xAA	473	5.51.R.ST
Base Angle-L+R (pair) 板支脚-左+右 (成对供货)		692	5.51.P
Base Angle-L+R (set) 板支脚-左+右 (成对成套供货)	4xC+2xAA	946	5.51.P.ST





Castor-Heavy Duty New! 重载脚轮

For large scale and frequent move working stair and with high load capacity.
适用于大型平台与频繁移动工作梯，承载能力强。
Material: wheel - PU base - zinc plated steel
轮材质：PU 底座材质：碳钢镀锌

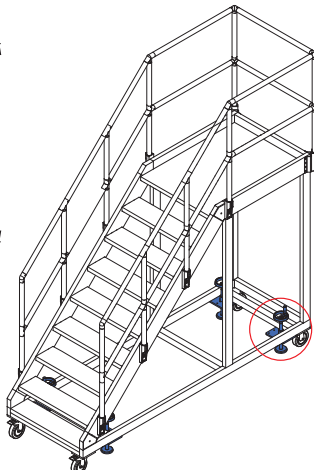
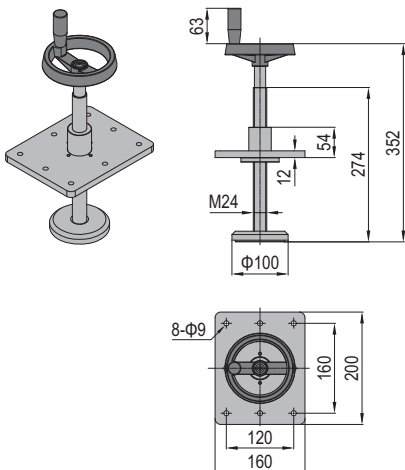


Description 产品描述	Wheel Width 轮宽 (mm)	D	R	H	Load 载荷 (N)	Mass 重量 (kg)	Part No. 订购编号
Castor-Heavy Duty 重载脚轮	45	125	139	164	2900	2.64	SPS.CH40.125
		150	143	190	3500	2.94	SPS.CH40.150



Hand Drive Support New! 手摇支架

For large scale platform and movable working stair for adjustment of height and with high load capacity.
适用于大型平台与移动工作梯，便于调整平台高度，承重能力强。
Material: zinc plated steel
材质：碳钢镀锌



J	Fastening Set
	M8x25 Bolt zinc plated
	zinc plated M8 Spring Washer
	zinc plated M8 Washer
	zinc plated M8 T Nut
	nickel plated M8 Nut

Description 产品描述	Fastening Set 紧固组件	Mass (kg) 重量 (kg)	Part No. 订购编号
Hand Drive Support 手摇支架	6xJ	5.35	SPS.HD40

工业踏步及走台系统询价单

Inquiry List of SPS

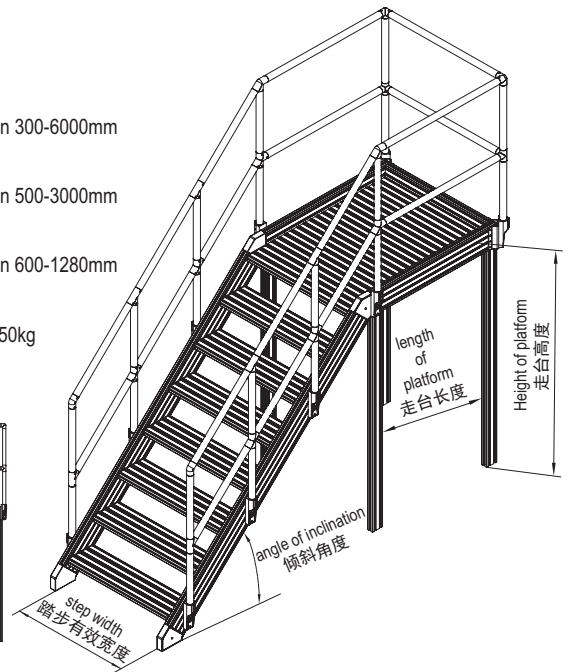
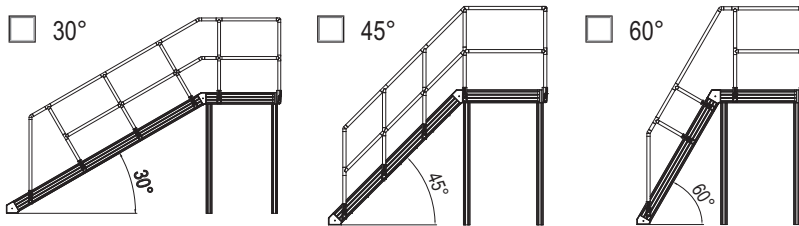
Date 日期		Page 页码
M	D	/

Company 公司名称			Contact 联系人		
Address 地址			Department 部门		
Tell 电话		Fax 传真		Email 邮箱	

Stair and platform system is mainly composed of step profiles and flexible handrails allowing a complete modular design. It is compatible with the components from Modular Assembly Systems due to its flexibility, three pitches of 30°, 45° and 60° are available to satisfied different request. 工业踏步及走台系统主要由专用的踏步型材和扶手组成, 由于其模块化的特性, 可以和工业组装系统的部件配合使用, 且有三种角度30°, 45°和60° 来满足客户对于空间的不同需求。

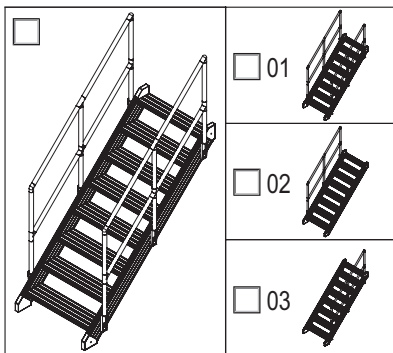
Basic technical data of platform: 踏步及走台系统的技术参数:

Length of platform (mm) 走台长度 (mm)	<input type="text"/>	Recommended value should be between 300-6000mm 建议数值在300-6000mm范围之内
Width of platform (mm) 走台高度 (mm)	<input type="text"/>	Recommended value should be between 500-3000mm 建议数值在500-3000mm范围之内
Usable width of step (mm) 踏步有效宽度 (mm)	<input type="text"/>	Recommended value should be between 600-1280mm 建议数值在600-1280mm范围之内
Load capacity of step (kg) 踏步负载 (kg)	<input type="text"/>	Recommended value should be within 150kg 建议数值在150kg范围之内

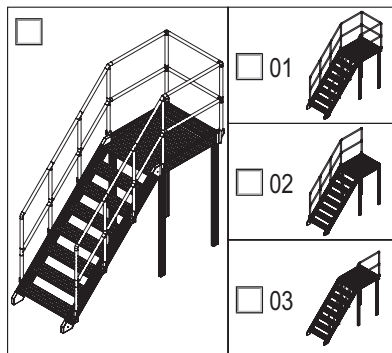


Handrail of stair and platform: 踏步及走台扶手形式:

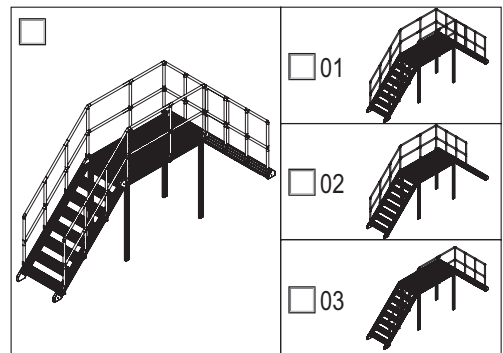
Stairs
楼梯



Stair and Platform
楼梯走台



Bridge
过线桥



Please email to info@moduasm.com or fax to +86 411 66316208
请发送邮件至: sales@moduasm.com 传真: 0411-66316208

公司联系方式/Contact US

■ 公司总部/Headquarters

地址: 辽宁省大连市普兰店经济开发区海湾工业区
Add.: Haiwan Industrial Area, Economic Development
Zone of Pulandian, Dalian, Liaoning Province, China
邮编/P.C.: 116200
电话/Tel: +86 (411) 66316200
传真/Fax: +86 (411) 66316208
电子邮箱/Email: sales@moduasm.com
网址/Website: <http://www.moduasm.com>

国际业务部/International Department

电话/Tel: +86 (411) 81981885
+86 (411) 66316207
传真/Fax: +86 (411) 81981995
电子邮箱/Email: info@moduasm.com
网址/Website: www.moduasm.com

■ 苏州分公司/Suzhou Branch

地址: 江苏省苏州市苏站路1588号苏州世界贸易中心东楼1904室
Add.: R1904, East building of Suzhou World Trade Center, No.1588, Suzhan
Road, Suzhou, Jiangsu Province, China
邮编/P.C.: 215000
电子邮箱/Email: sales.sz@moduasm.com
网址/Website: www.moduasm.com

■ 深圳办事处/Shenzhen Office

地址: 广东省深圳市龙华新区民治街道民德路2号民德大厦一楼101室
Add.: Room 101, 1st Floor, Minde Building, No. 2 Minde Road, Minzhi Street,
Longhua New District, Shenzhen, Guangdong Province, China
邮编/P.C.: 518131
电子邮箱/Email: sales.shenzhen@moduasm.com
网址/Website: www.moduasm.com



Modular Assembly Technology Co., Ltd.
大连美德乐工业组装技术有限公司

! We reserve the right to update our product specifications and improve the production process without any notice and obligations, please refer to the our latest catalogues from our website or contact us at info@moduasm.com.
本公司保留对所有产品技术参数及生产工艺升级更新的权利, 若有变更, 恕不另行通知, 最新资讯请登录网站查询或来电咨询。



<http://www.moduasm.com>

Stair and Platform System